

# Pacific W3

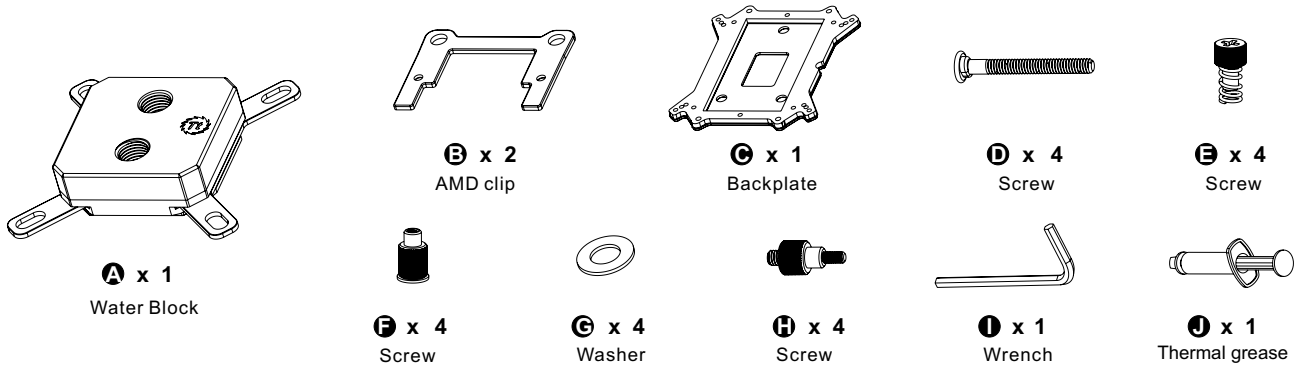
## CPU Water Block

This product is intended for installation only by expert users. Please consult with a qualified technician for installation. Improper installation may result in damage to your equipment.

Before you start using this product please follow these basic guidelines:

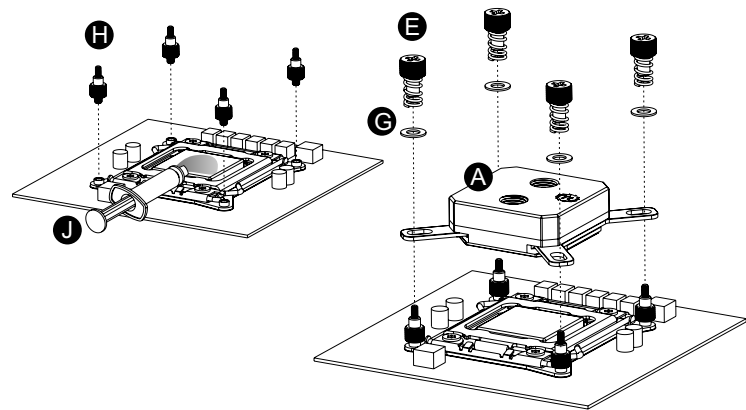
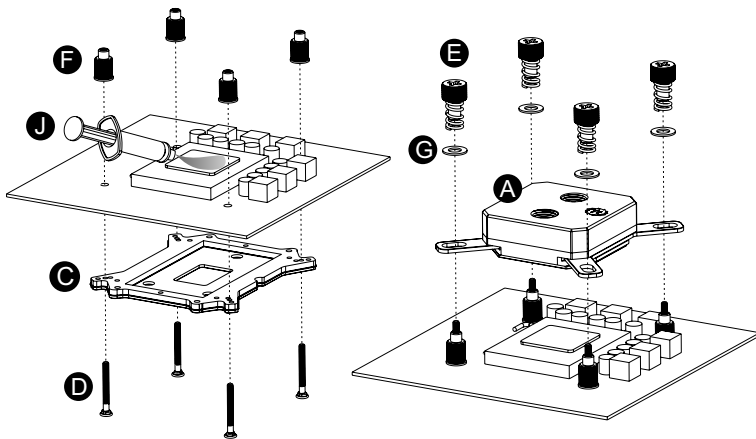
1. Please carefully read through the instruction manual before beginning the installation process.
2. Please remove your graphics card from your motherboard to insure the safest process and in order to prevent any possible damages to your CPU and motherboard.
3. It is strongly recommended to use market proven pre-mix coolant, such as Thermaltake Coolant 1000.

### Parts List



### Intel LGA 775, LGA115x, LGA1366

### Intel LGA2011, 2011-3



### AMD

