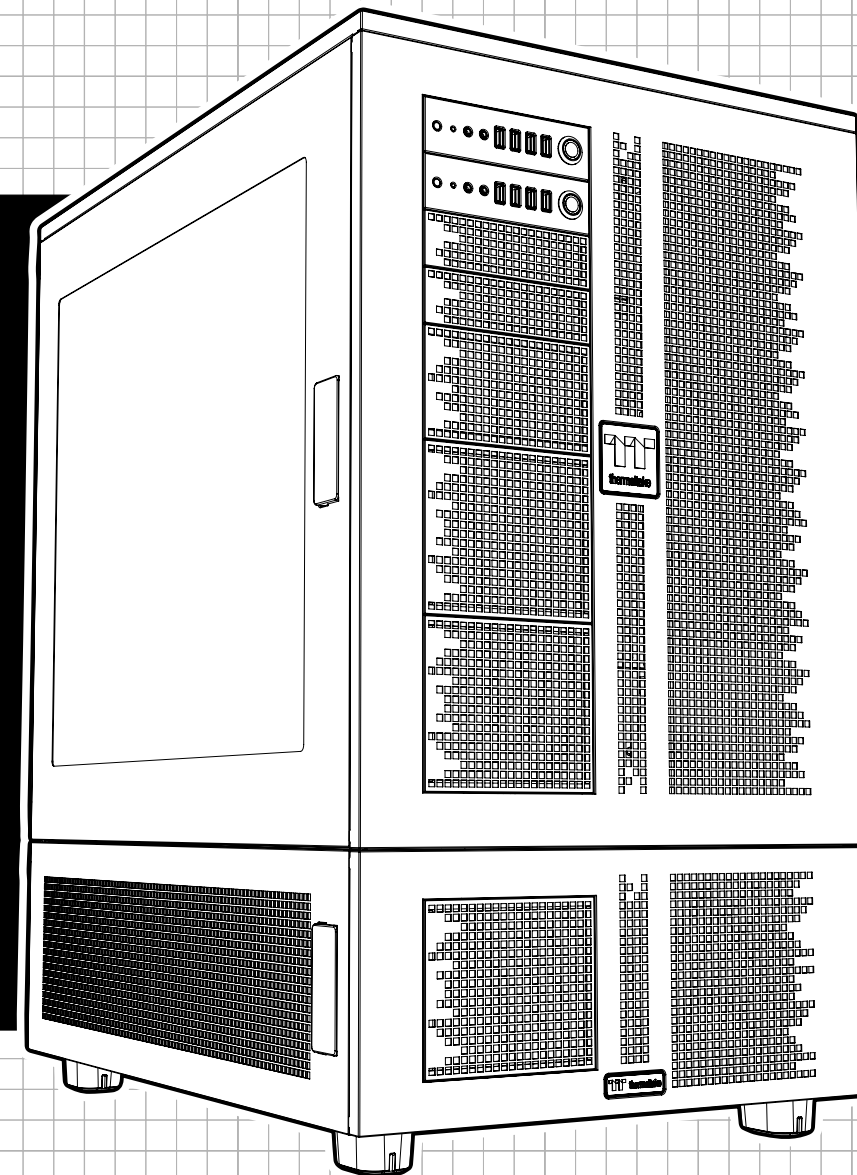


# **CORE W200** Series

## **TT Premium Line**



User's Manual  
Benutzerhandbuch  
Mode d'emploi  
Manual del usuario  
Manuale dell'utente  
Manual do Utilizador  
安裝說明書  
用戶手冊  
ユーザーズマニュアル  
Руководство пользователя  
kullanıcı elkitabı  
(EEE Yönetmeliğine Uygun)  
คู่มือการใช้



© 2016 Thermaltake Technology Co., Ltd. All Rights Reserved. 2016.02  
All other registered trademarks belong to their respective companies. [www.thermaltake.com](http://www.thermaltake.com)



## TT Premium



### TT Premium

To continue achieving the corporate mission of delivering the perfect user experience, Thermaltake developed "TT Premium" with the essence of combining supreme quality products with a new logo design. TT Premium is far more than just a guarantee of quality. Behind the name, it represents the passion in DIY, Modding and Thermaltake's desire to be the most innovative brand in the PC hardware market. To satisfy the demand of the high-end PC users, TT Premium follows its core values of Excellent Quality, Unique Design, Diverse Combinations and Boundless Creativity to provide a high performance PC product for every enthusiast. <http://tppremium.com>

## Tt LCS-Liquid Cooling Support Certification



Tt LCS Certified is a Thermaltake exclusive certification applied to only products that pass the design and hardcore enthusiasts standards that a true LCS chassis should be held to. The Tt LCS certification was created so that we at Thermaltake can designate to all power users which chassis have been tested to be best compatible with extreme liquid cooling configurations to ensure you get the best performance from the best features and fitment.

## Join Tt Community To Receive Benefits



Dear Valued Customer,  
Thank you for choosing Thermaltake.  
As a new user we value your thoughts and opinions and your feedback is important to us. We at Thermaltake would like to use this opportunity to invite you to join our Community Forums. Register today to start enjoying the full benefits of our community.



### Benefits of being a member:

- Quick and responsive user support
- Receive help and advice with new builds
- Keep up to date with new product releases
- Share your thoughts and builds with the community
- Enter monthly contests and giveaways

**Brand official website**  
<http://www.thermaltake.com/>

**Global Facebook**  
<https://www.facebook.com/ThermaltakeInc>

**Taiwan Facebook**  
<http://www.facebook.com/ThermaltakeTW>

**Global community forums**  
<http://community.thermaltake.com>

# CONTENTS

## Core W200 Installation

1. Chassis Installation .....	01
2. Hardware Installation .....	16
3. Air Cooling Installation .....	28
4. Liquid Cooling Installation .....	32

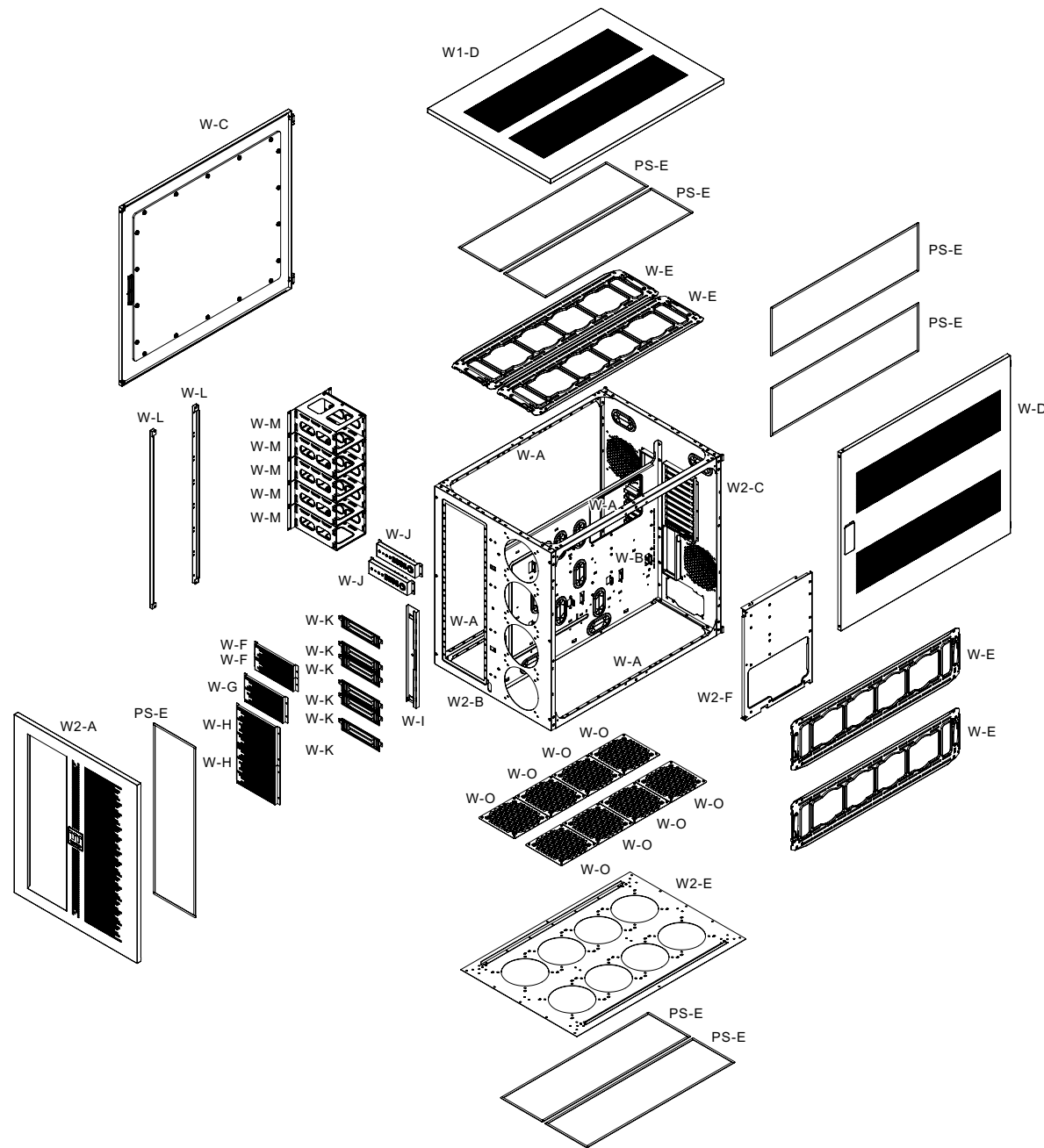
## Core P200 Installation

1. Chassis Installation .....	33
2. Air Cooling Installation .....	42
3. Liquid Cooling Installation .....	46

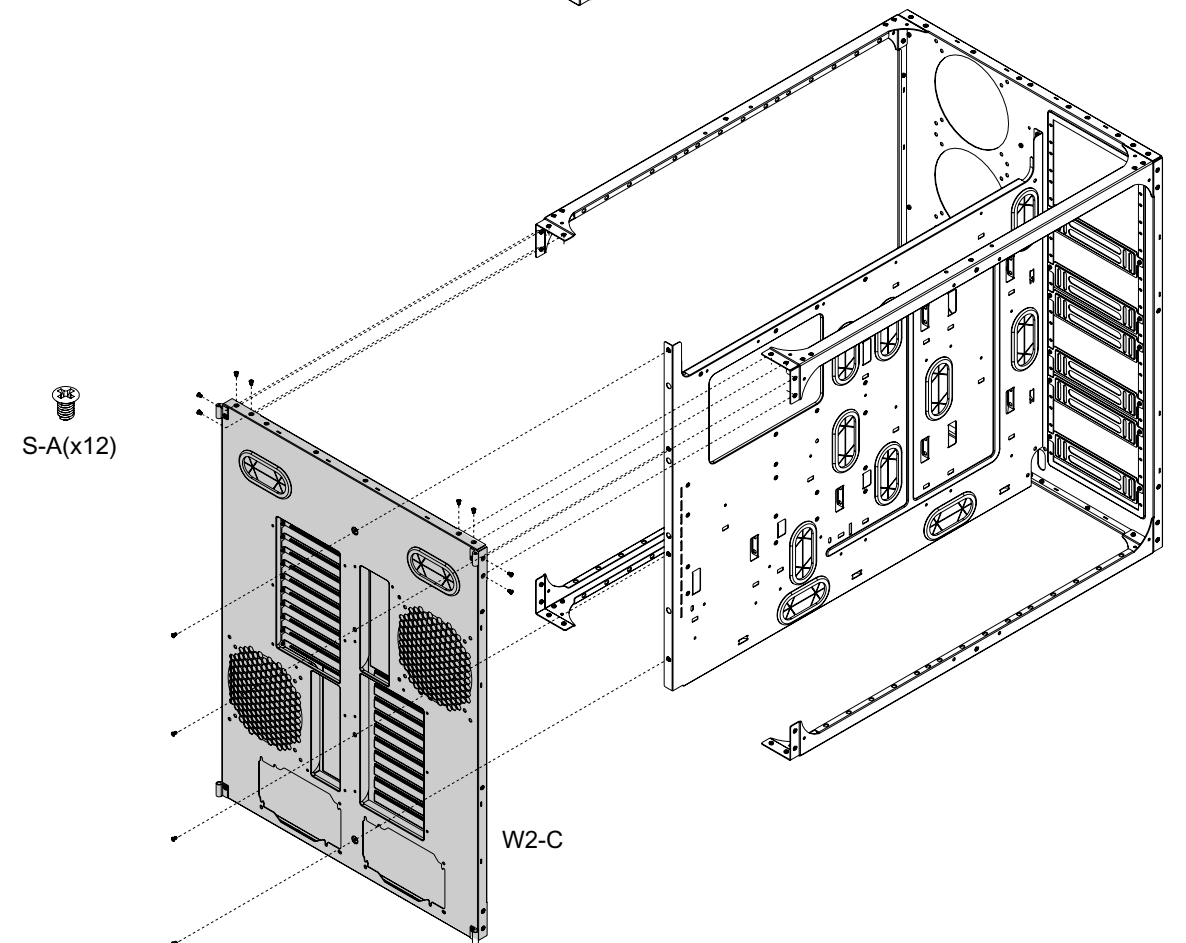
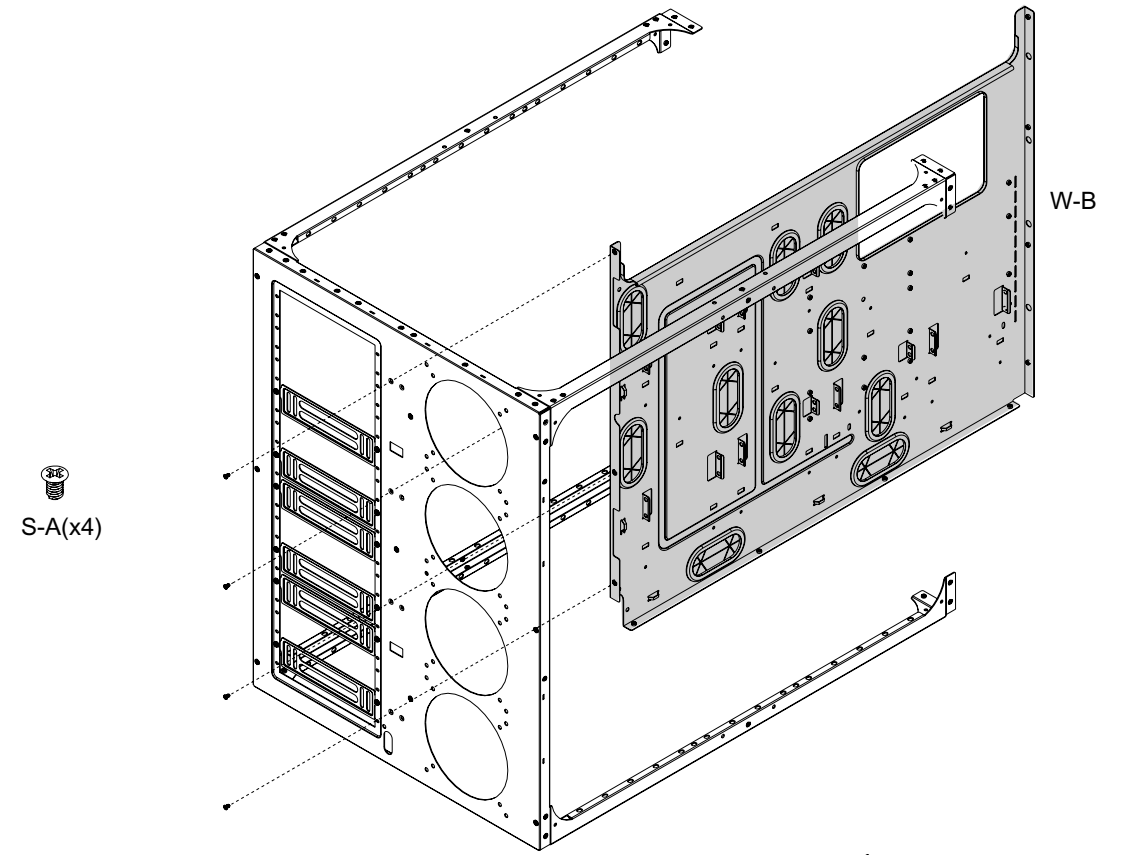
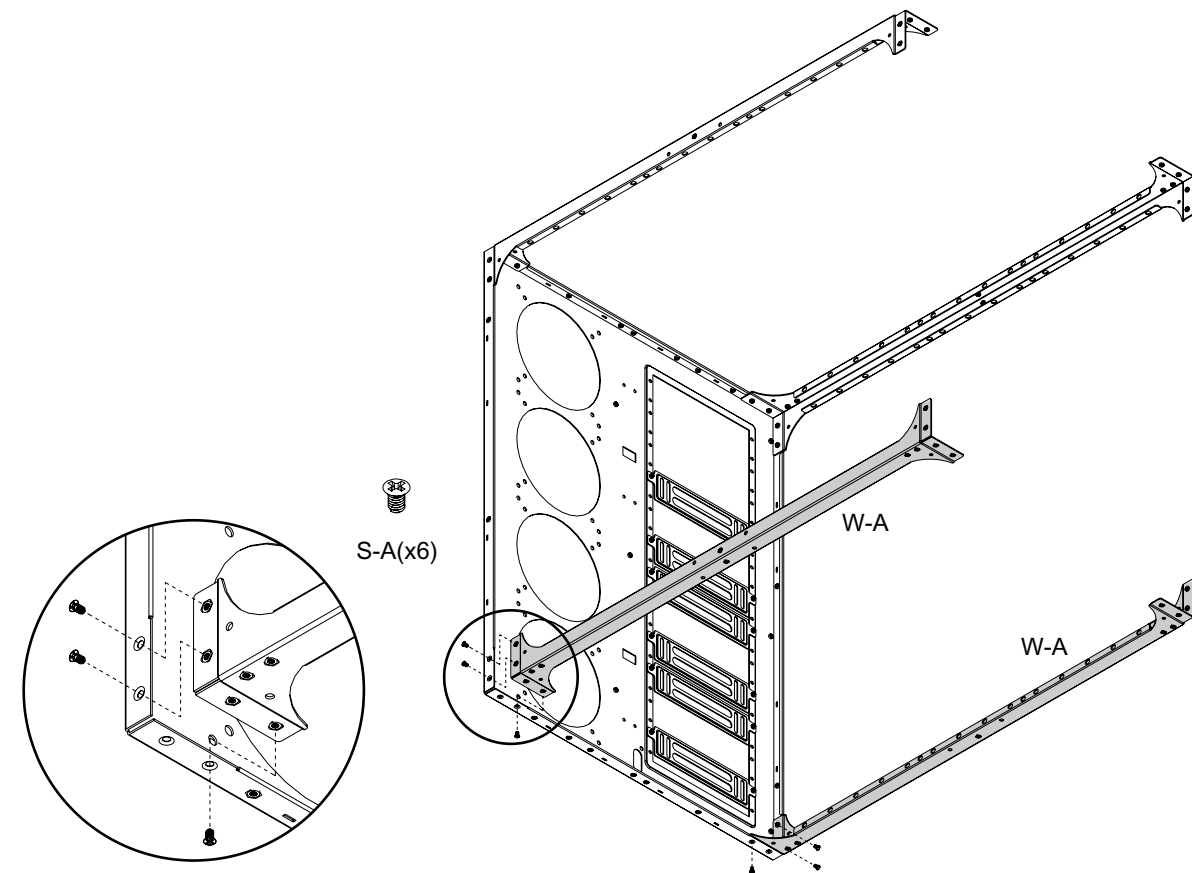
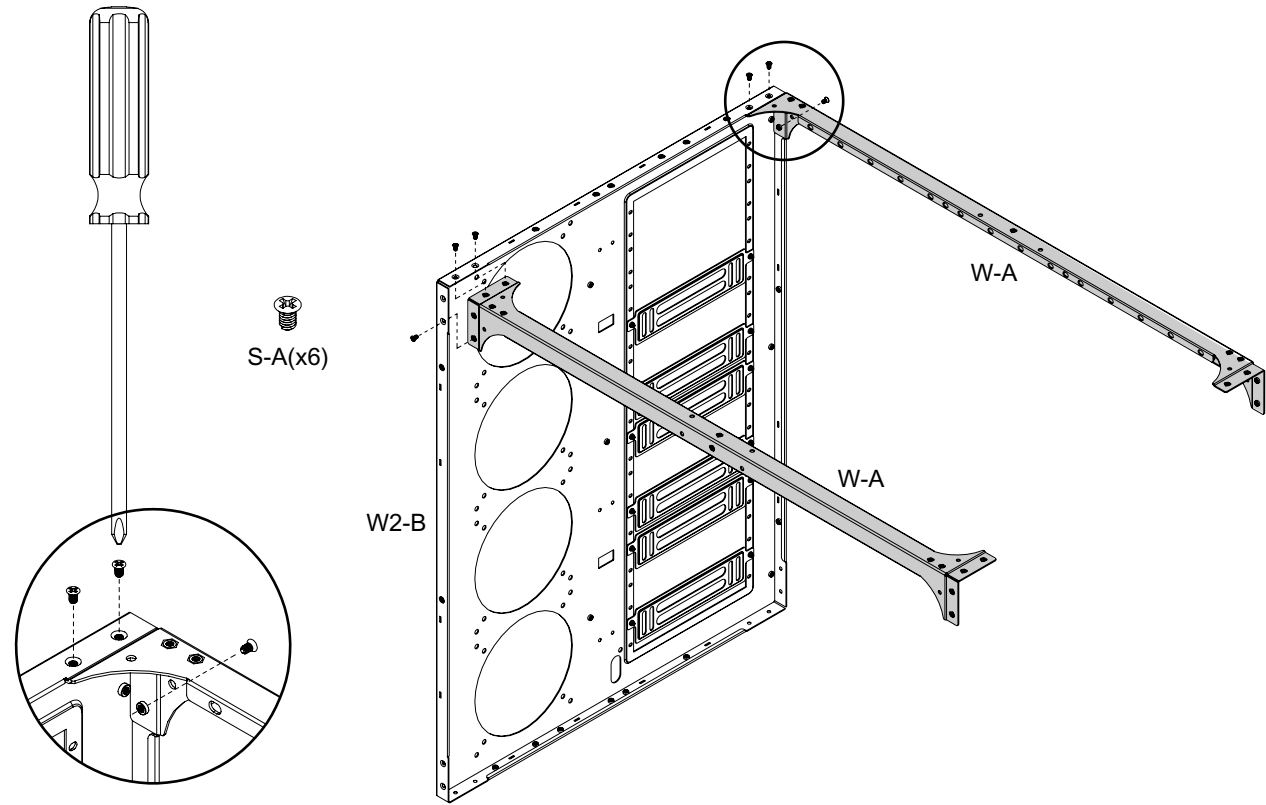
## Core WP200 Installation

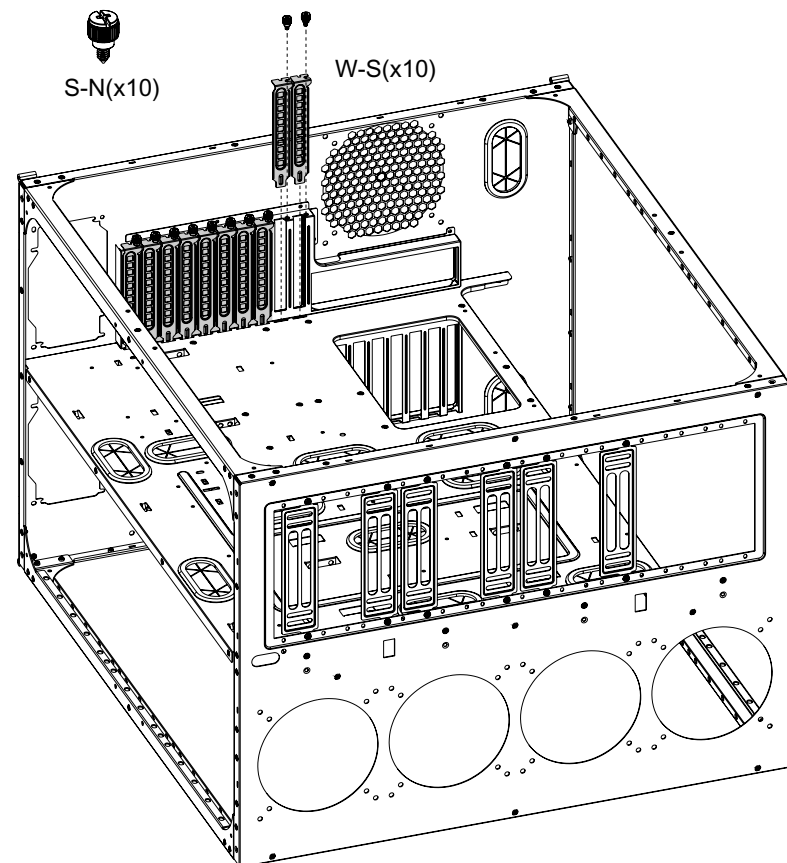
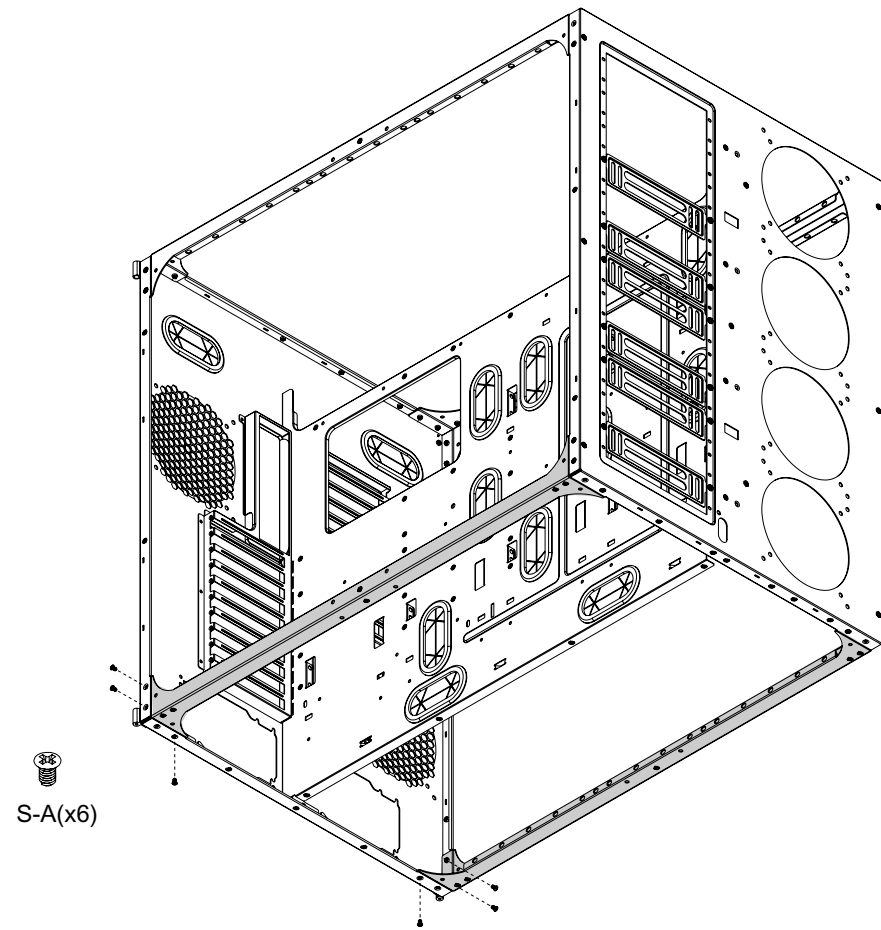
1. Stacking Installation .....	47
2. ODD Installation .....	49
3. HDD Installation .....	50

NO	CODE	PART NAME	Q'ty
1	W2-A	BEZEL	1
2	W2-B	FRONT PANEL	1
3	W2-C	BACK PANEL	1
4	W2-D	TOP PANEL	1
5	W2-E	BOTTOM PANEL	1
6	W2-F	2nd MB TRAY	1
7	W-A	CORNER BAR	4
8	W-B	MB TRAY	1
9	W-C	WIN SIDE PANEL	1
10	W-D	AIR SIDE PANEL	1
	W-E	RADIATOR BRACKET	4
11	W-F	1 BAY PLATE	2
12	W-G	2 BAY PLATE	1
13	W-H	3 BAY PLATE	2
14	W-I	LED STRIP BRACKET	1
15	W-J	525 IO PLATE	2
16	W-K	FAN FIXED PLATE	6
17	W-L	HDD CAGE BRACKET	2
18	W-M	HDD CAGE	5
19	W-O	FAN HOLE AIR COVER	8
20	PS-E	FILTER	7

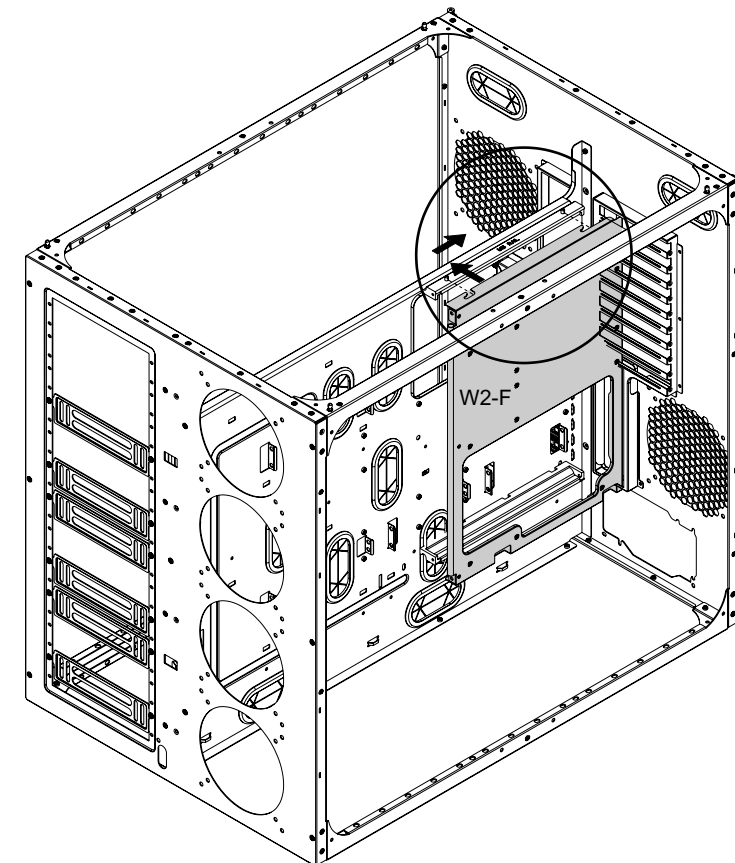
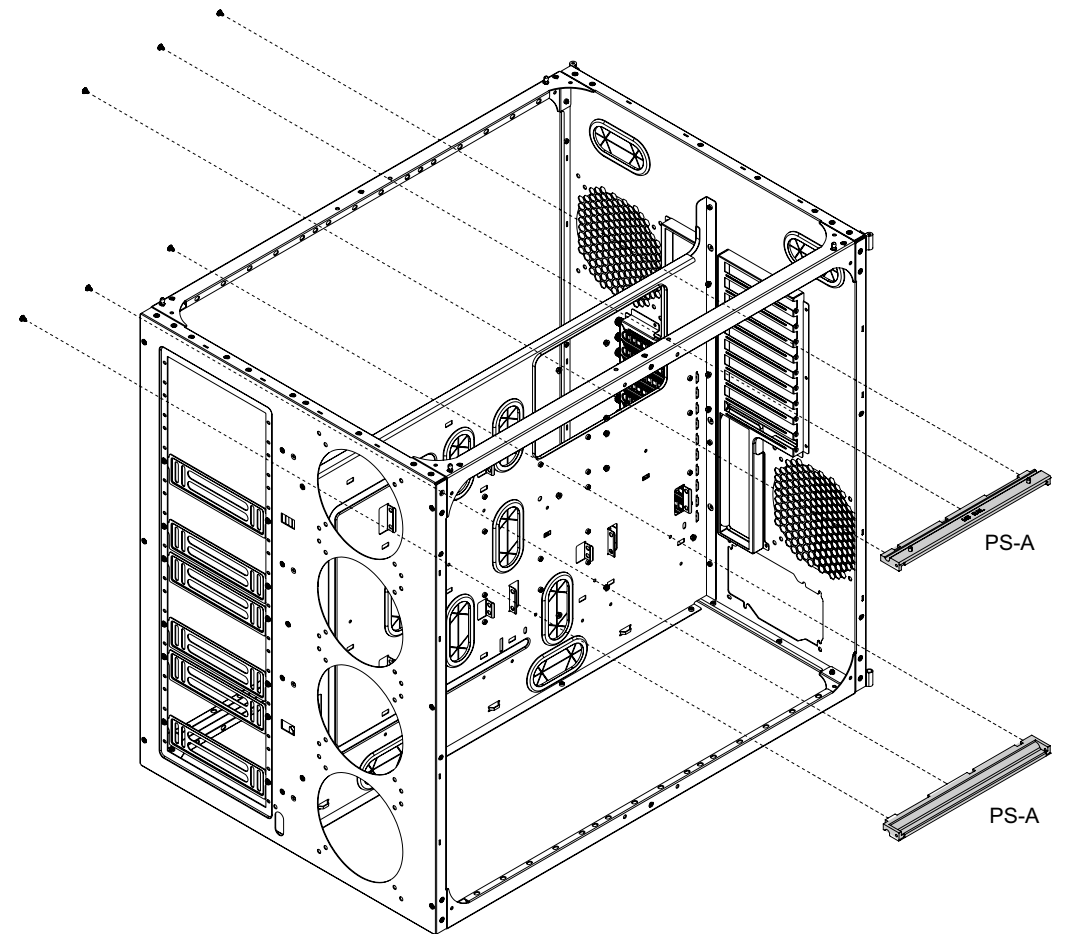


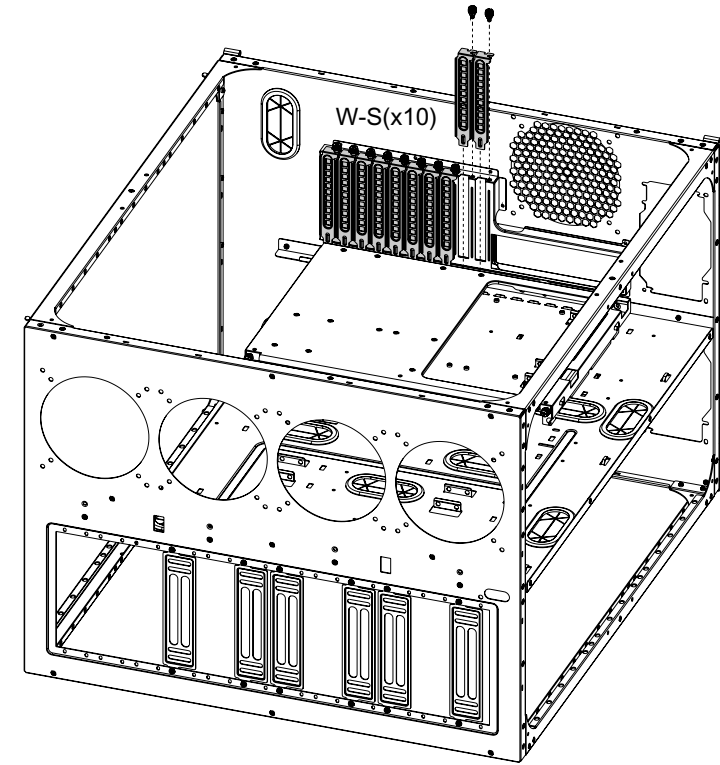
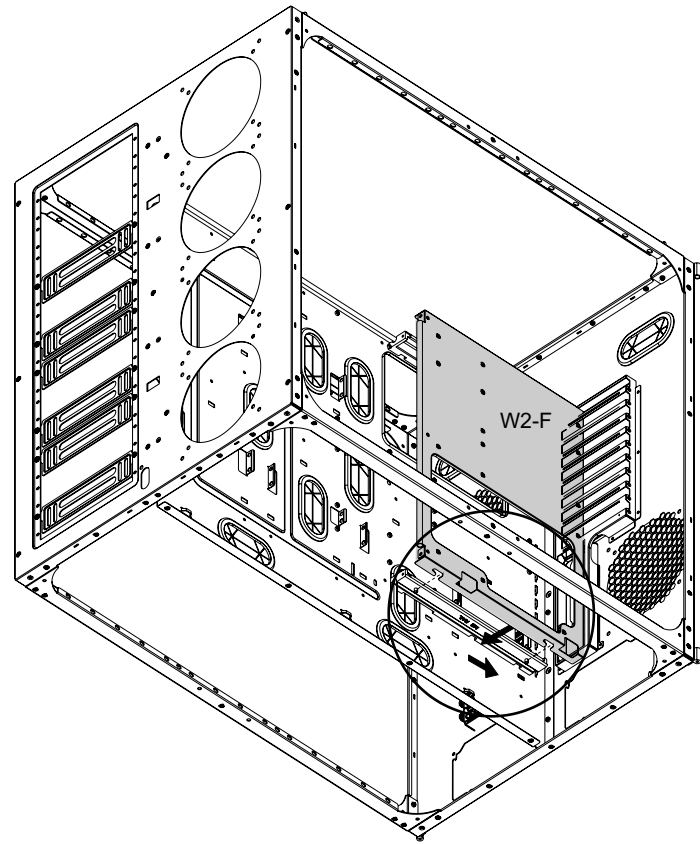
NO	Figure	Parts Name	Q'ty	Used for
S-A		Screw #6-32 x 6mm	64	For case body
S-B		Bezel bolt #6-32 x 3.5mm	14	For front & top plate
S-C		Screw #6-32 x 5mm	4	For side plate location
S-D		Screw #6-32 x 6mm	8	For PSU
S-E		Screw #6-32 x 6mm	46	For HDD/ODD cage/bracket/foot stand
S-F		Screw #6-32 x 28mm	24	For bottom 14 cm fan
S-G		Screw #6-32 x 10mm	16	For casters/stacking
S-H		Nut # 6-32	16	For casters/stacking
S-I		Stand-off #6-32 x 6.5mm	32	For motherboard
S-J		Nut setter	1	For stand-off
S-K		Screw M3 x 5mm	50	For motherboard, ODD
S-L		Screw M3 x 5mm	56	For 2.5"HDD/SSD
S-M		Screw Ø3.0 x 6mm	20	For plastic parts
S-N		Thumb Screw #6-32 x 6mm	34	For Rad bracket
S-O		Nut setter	1	For bezel bolt
O-A		Bezel bolt holder	2	For bezel or top plate
O-B		Cable ties	20	Cable management
O-C		PSU stand	6	For PSU
O-D		Foot stand	4	For bottom plate
O-E		Buzzer	2	Motherboard alarm
O-F		Casters	4	For bottom plate
O-G		Guide piece	2	For side panel
PS-A		MB tray rail	2	For 2nd MB tray
PS-B		HDD tray lock	4	For HDD tray
PS-C		HDD tray holder	8	For HDD tray
PS-D		HDD tray	10+4	For 3.5"HDD/2.5"HDD/SSD
W-N		ODD bracket	6	For ODD
W-S		Slot chip	20	For back panel
		Parts box	1	For screw



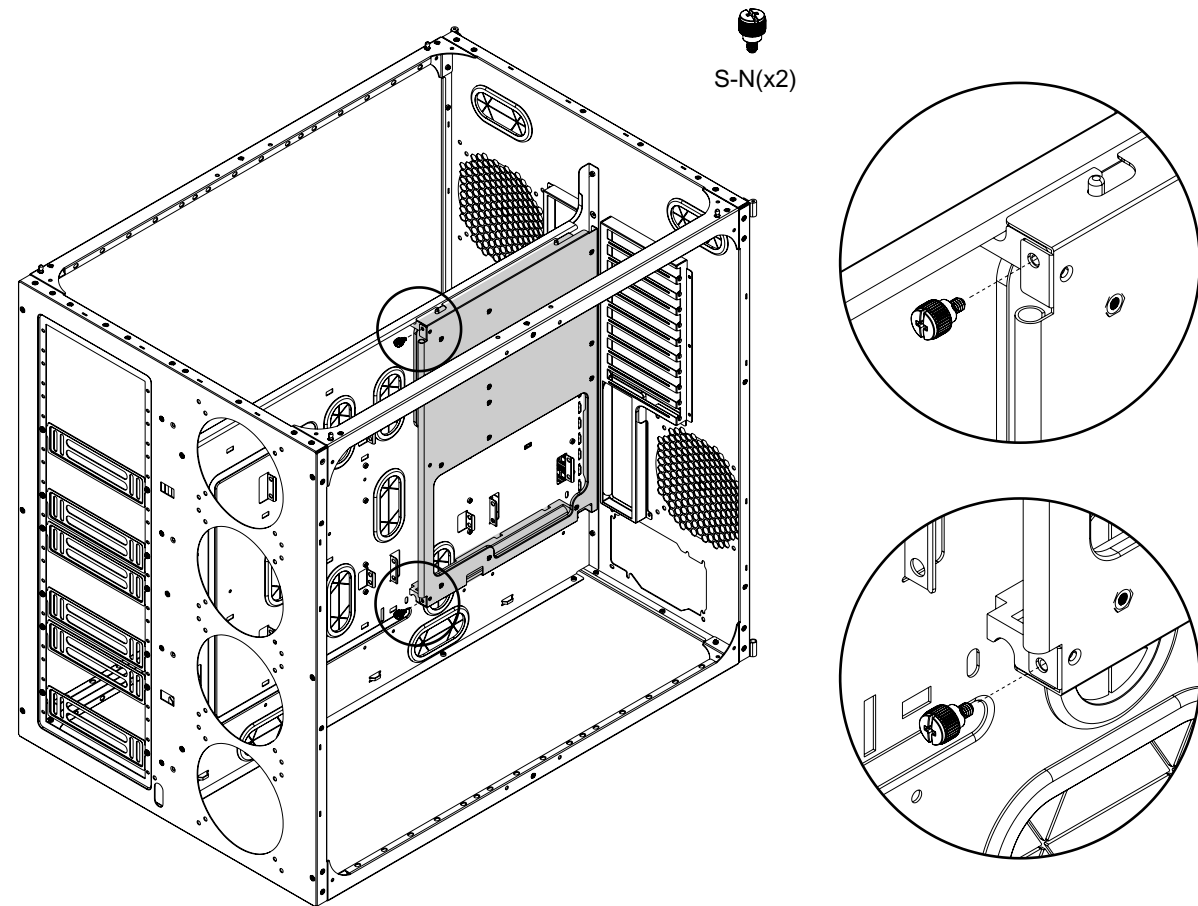


S-M(x6)

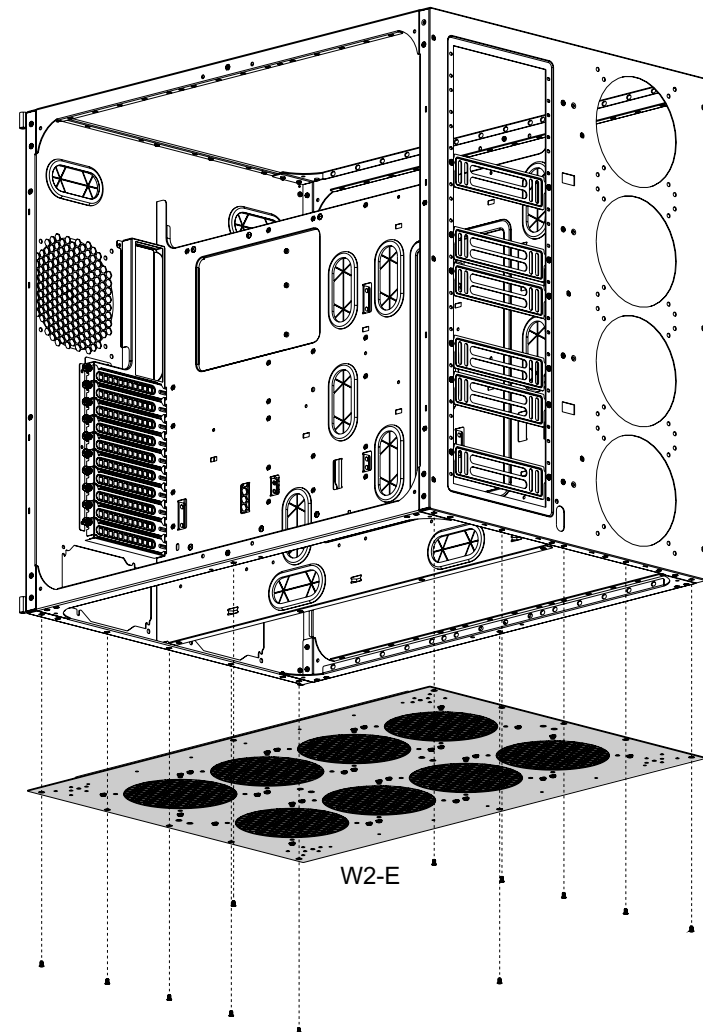


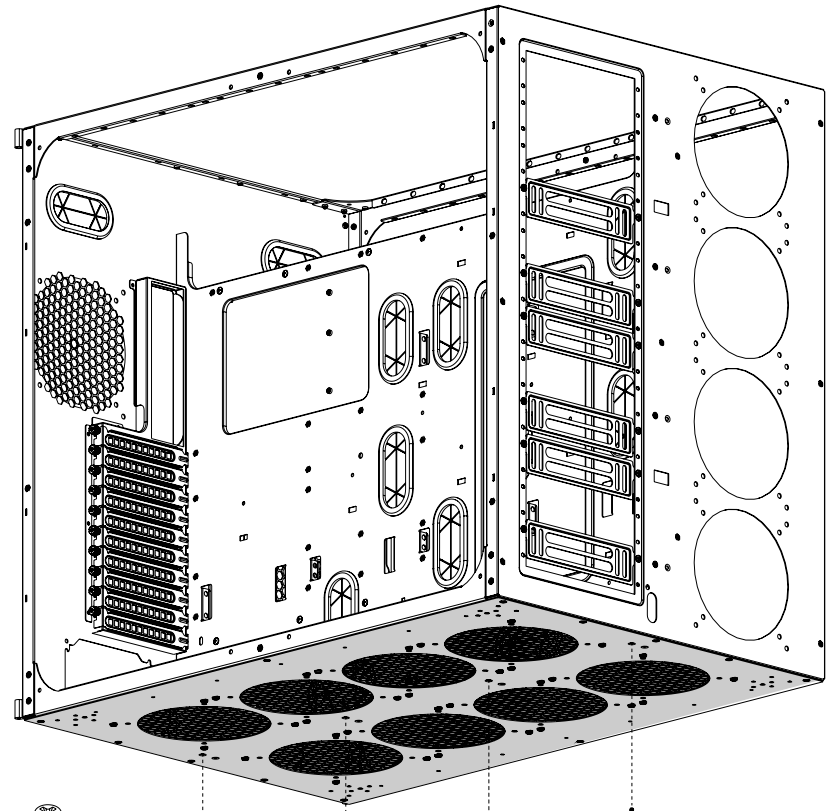


S-N(x10)

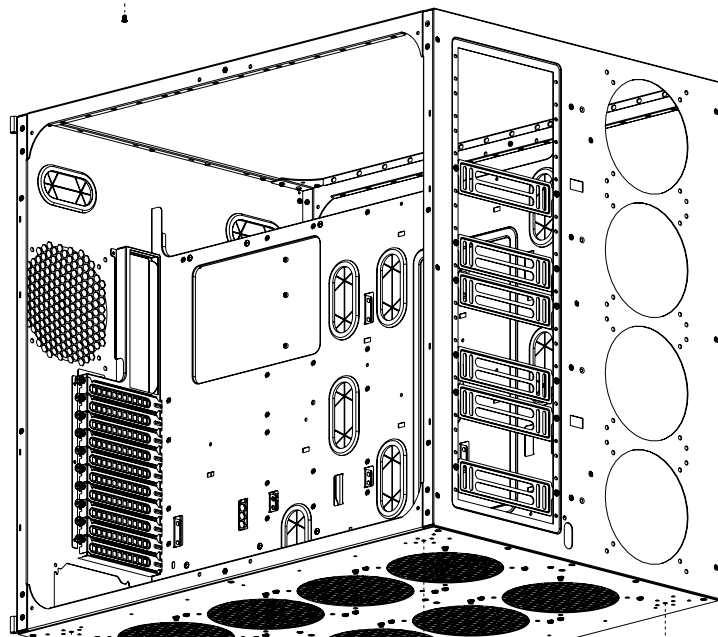


S-A(x12)





S-A(x4)



S-E(x4)

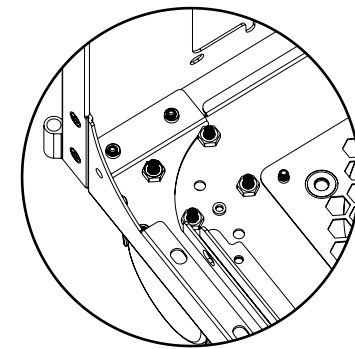
O-D

O-D

O-D

O-D

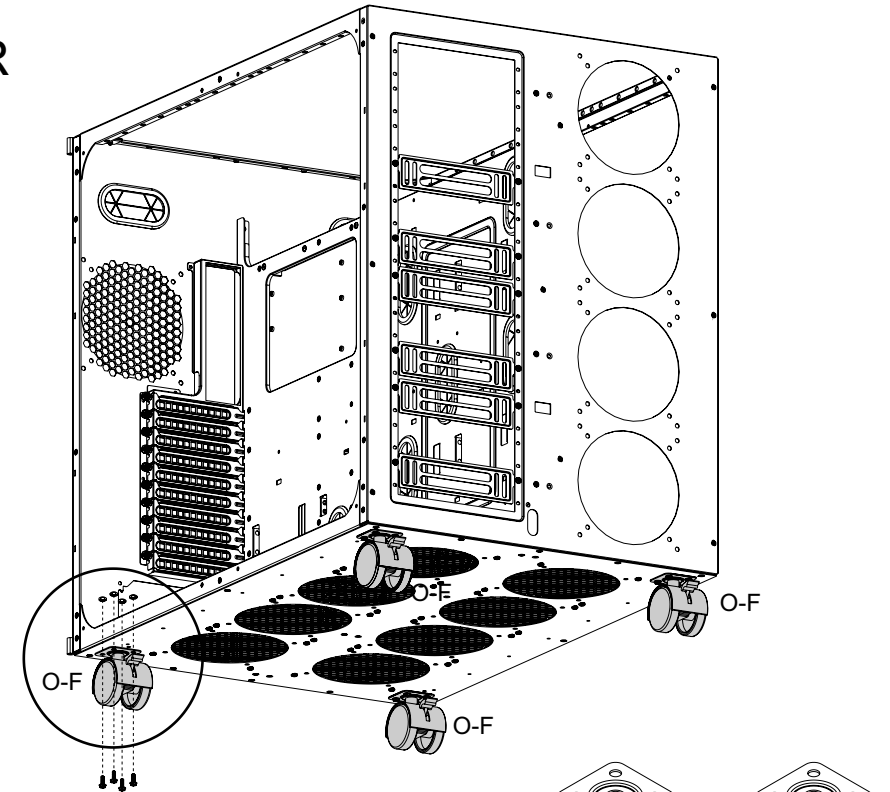
OR



S-G(x16)

S-H(x16)

OR

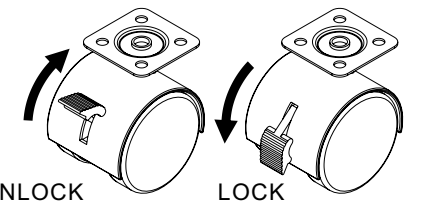


O-F

O-F

O-F

O-F

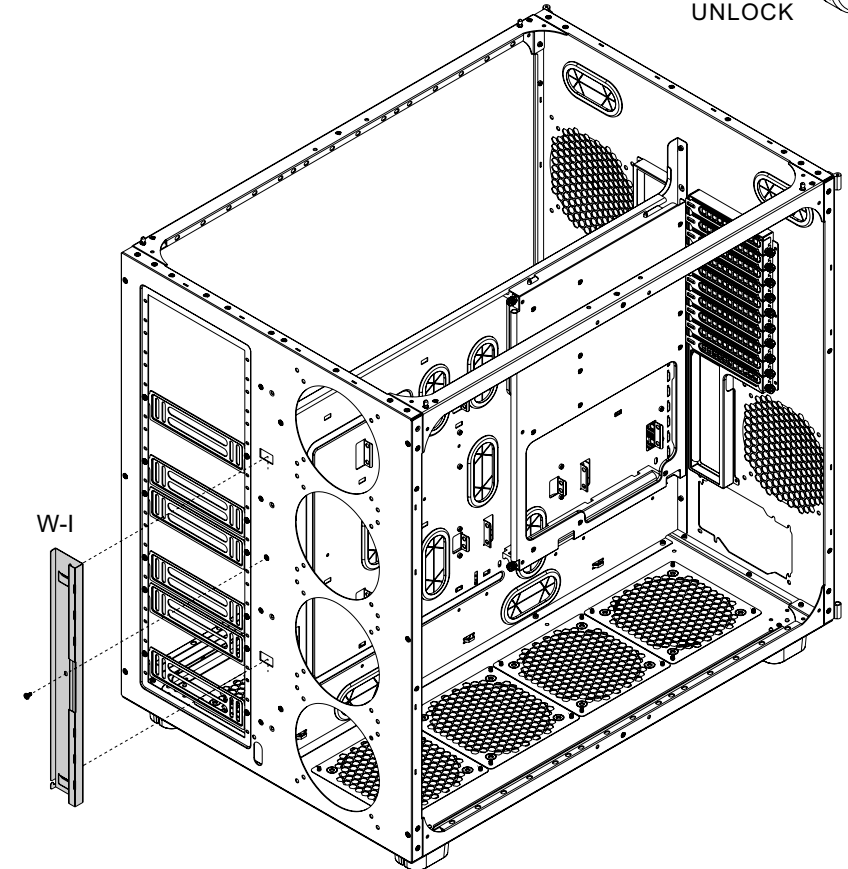


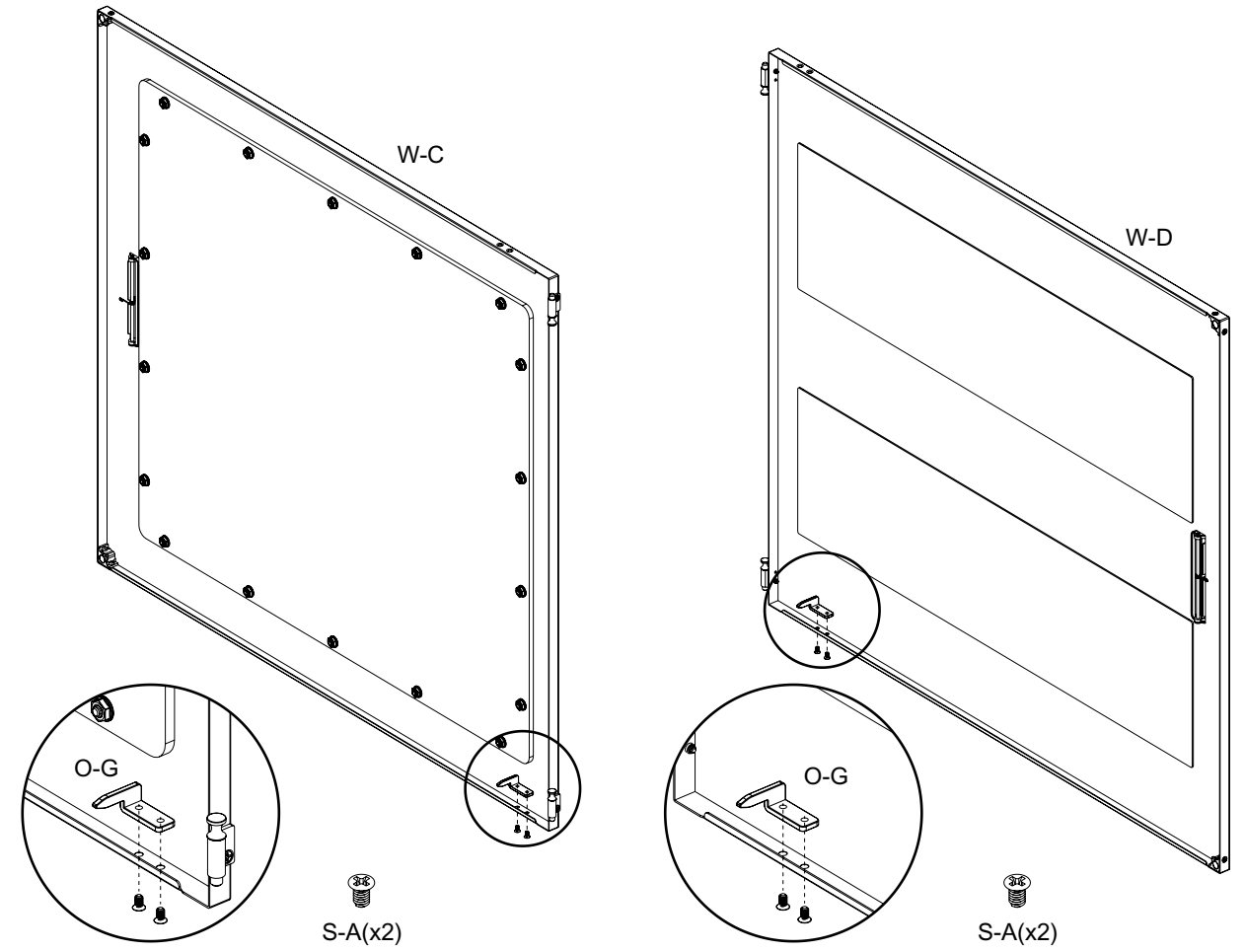
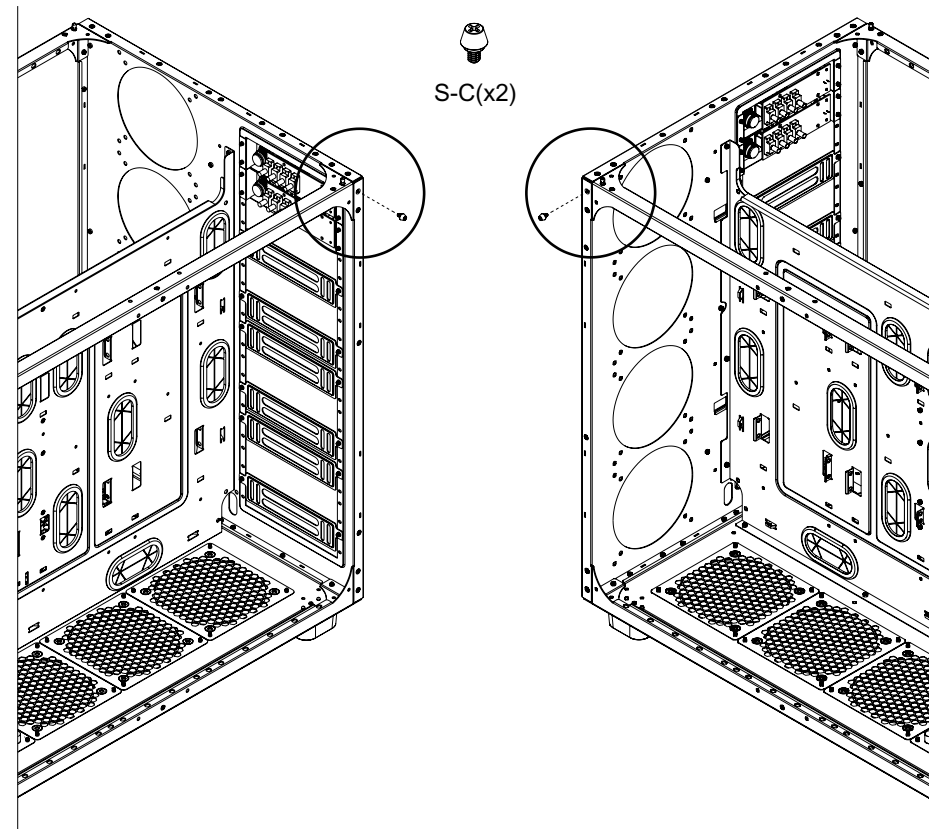
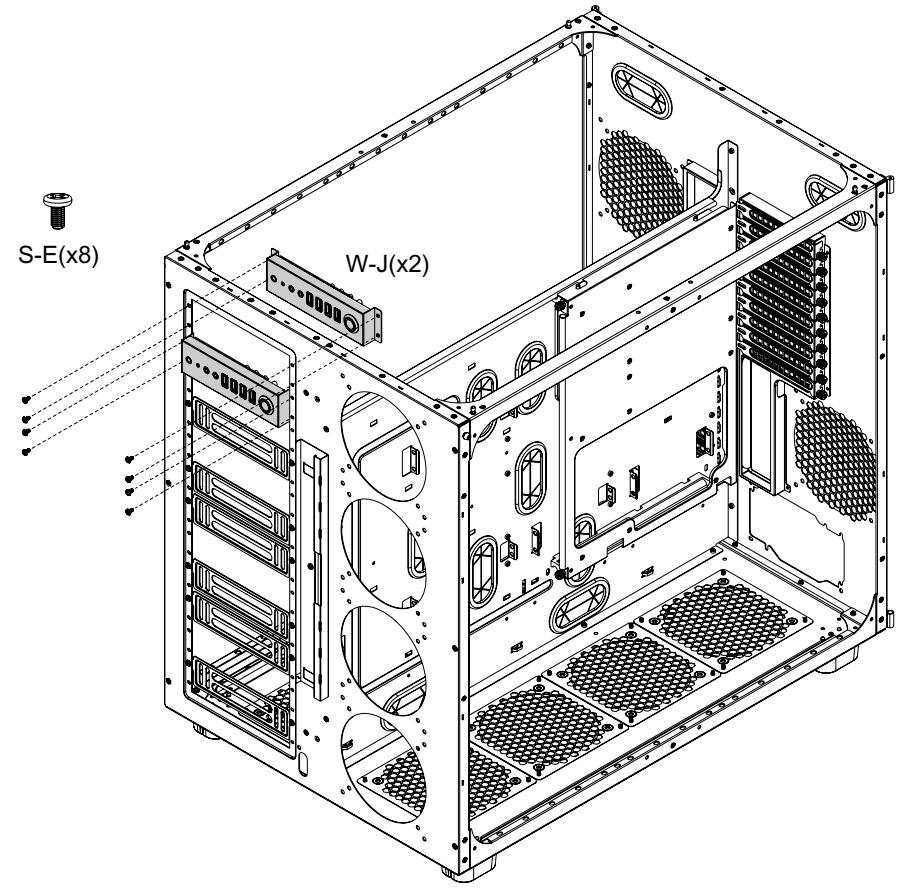
UNLOCK

LOCK

S-E(x1)

W-I

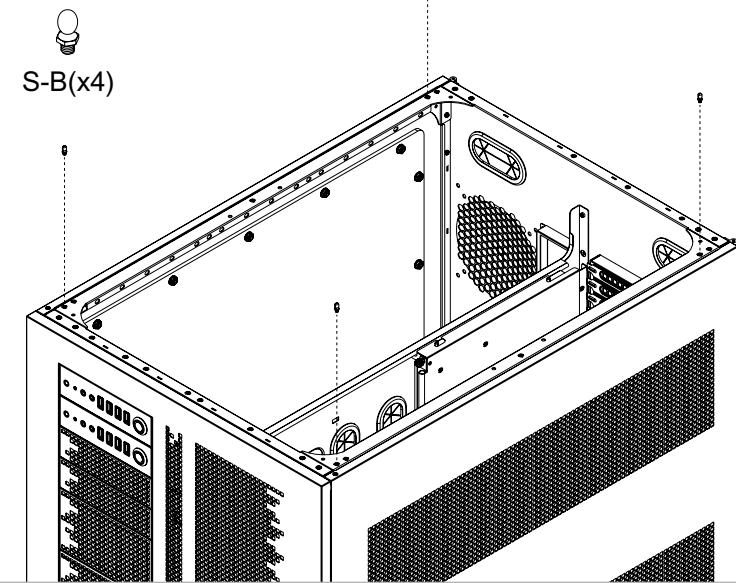
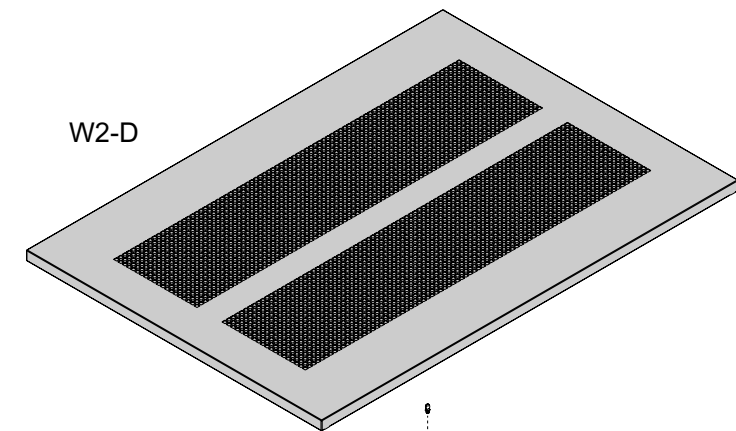
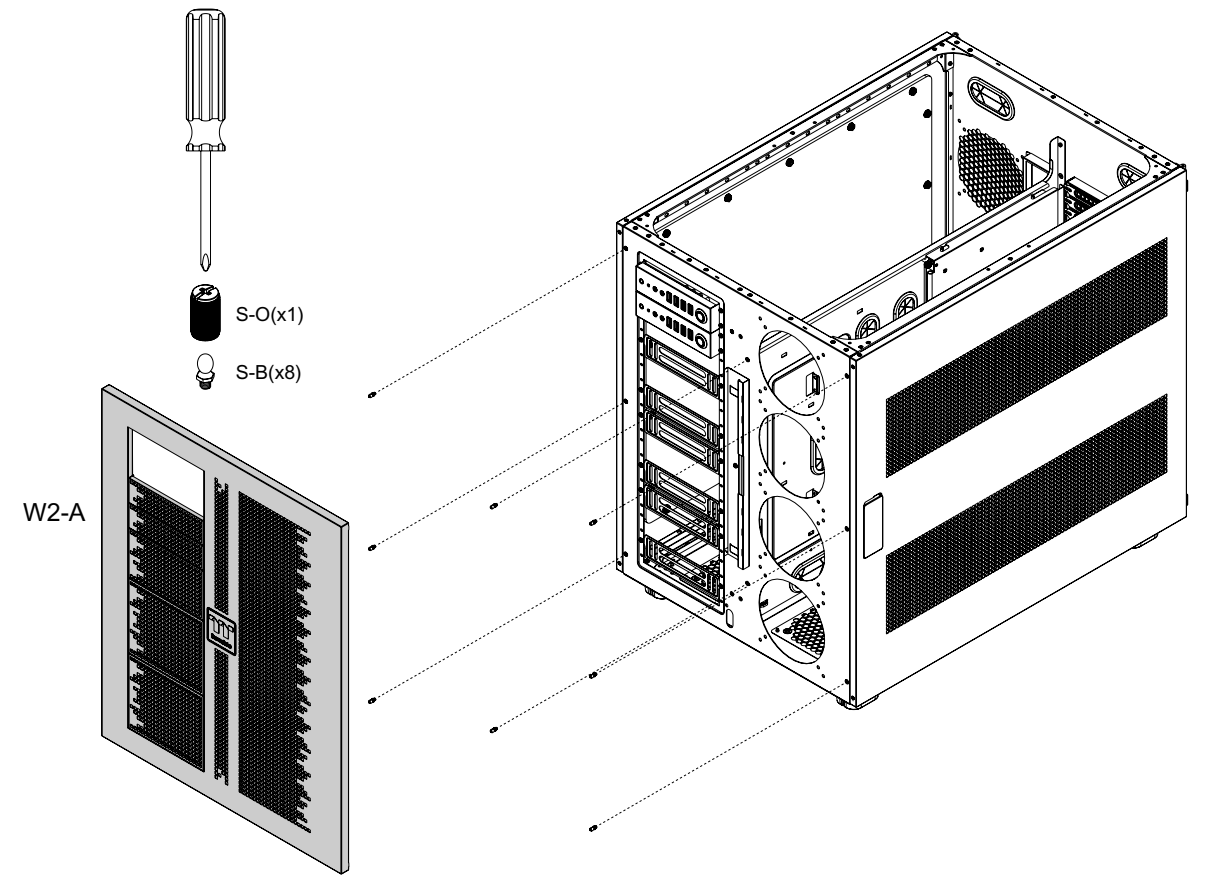
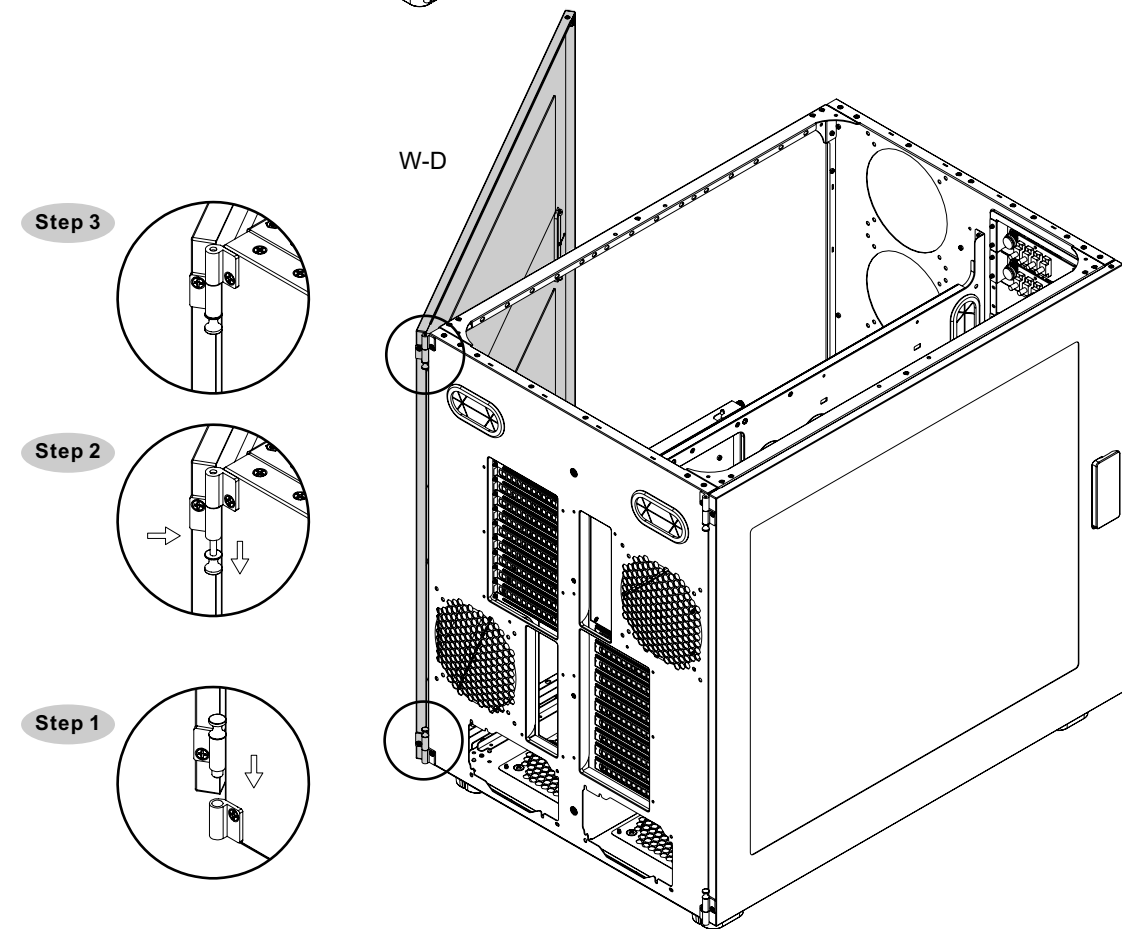
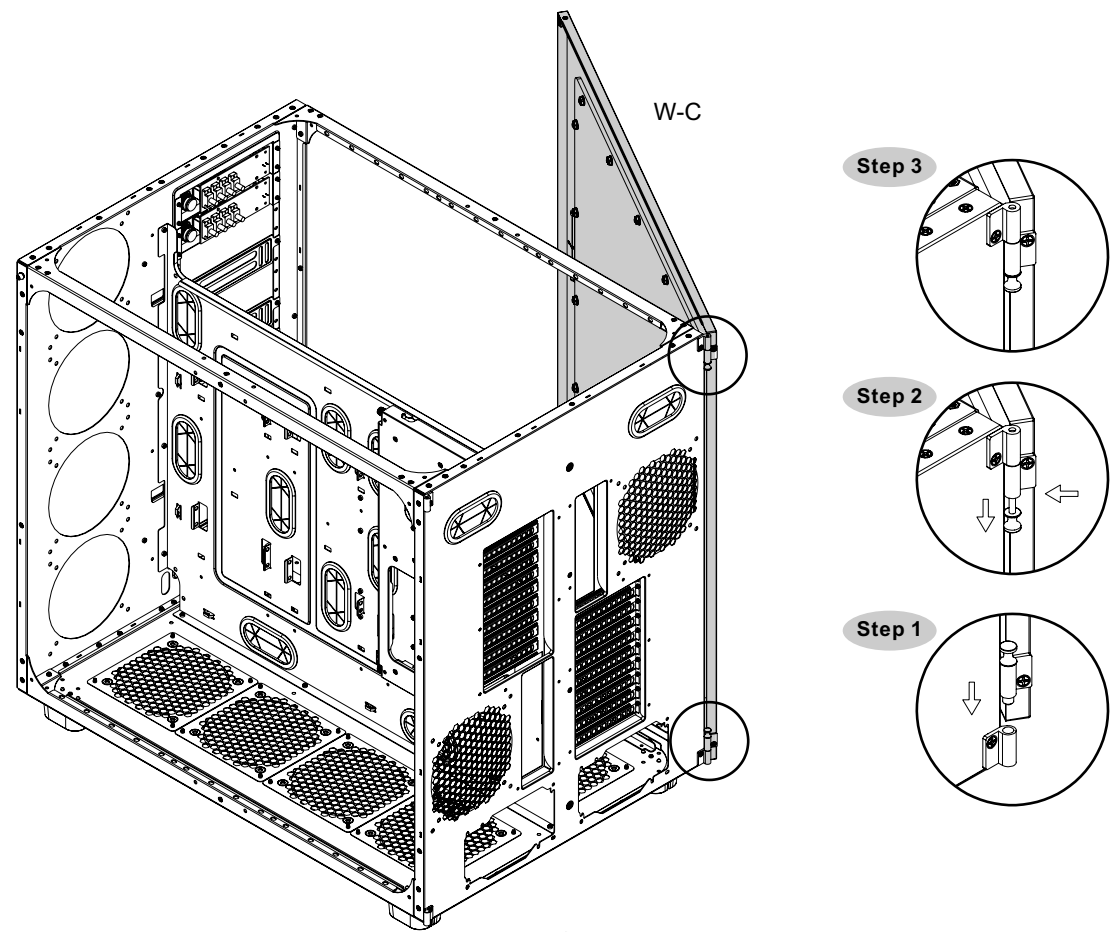


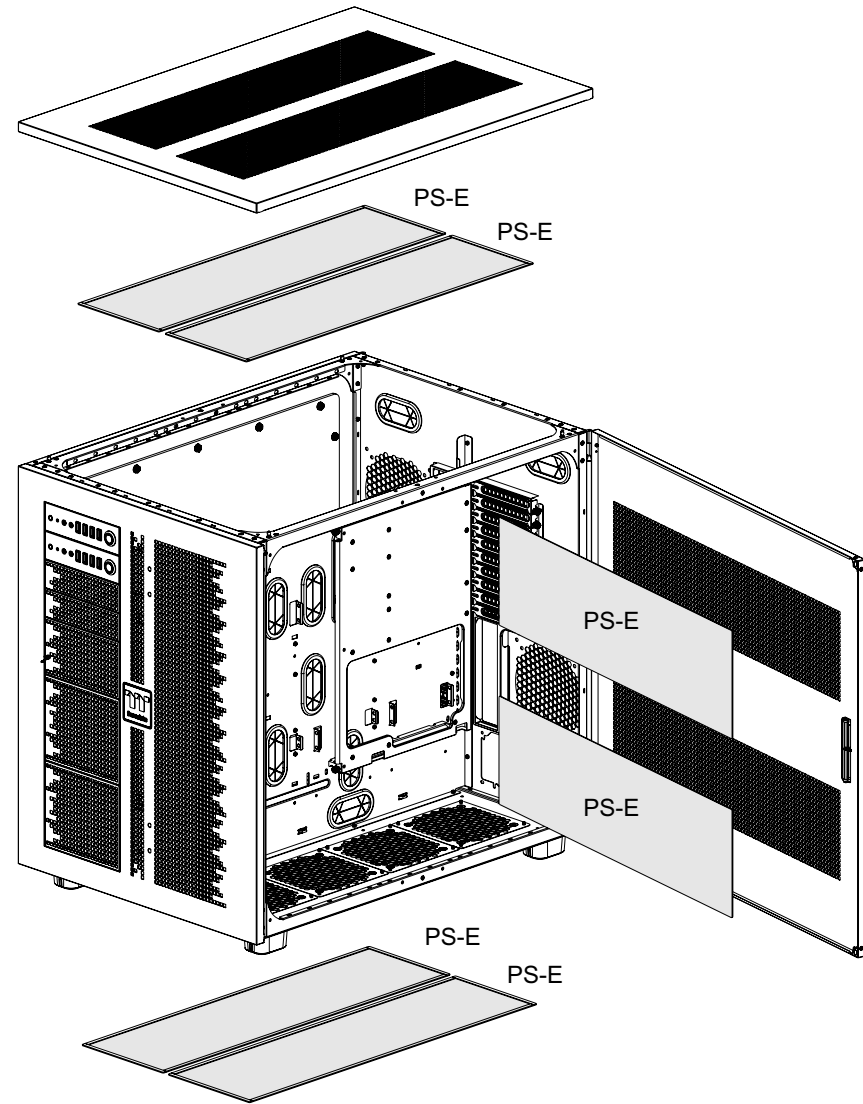


Note:

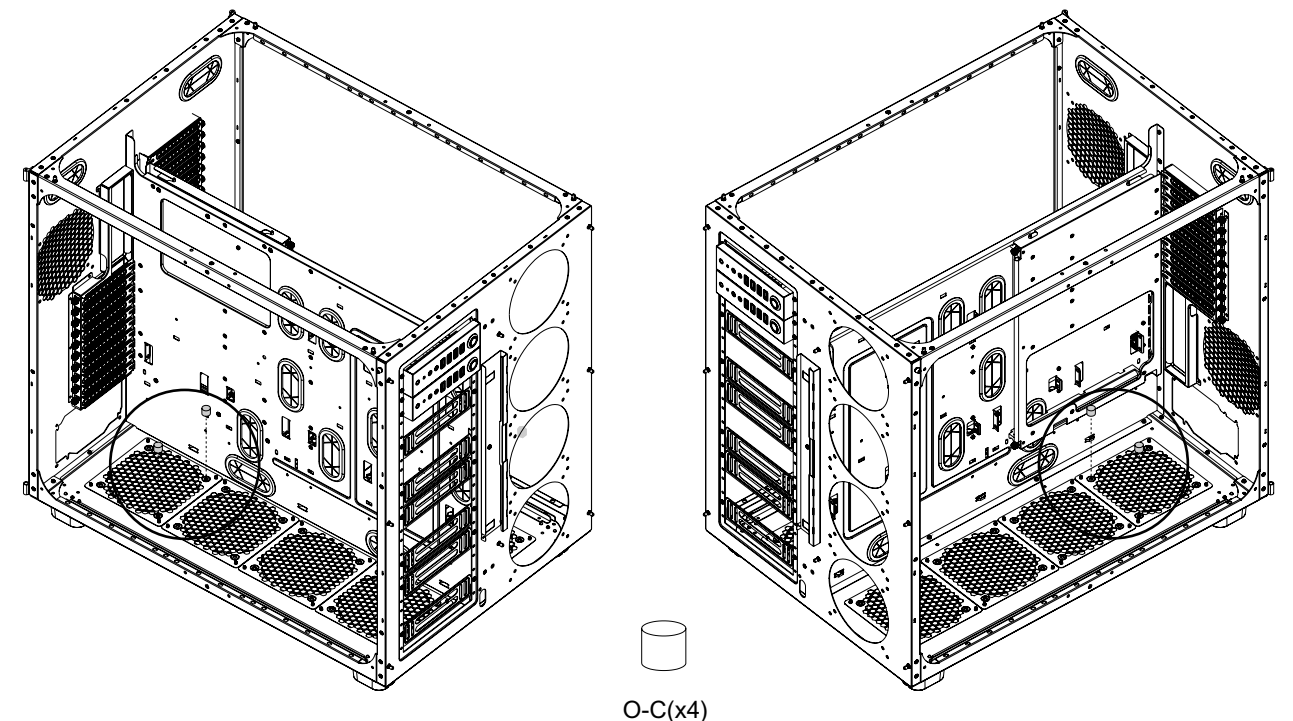
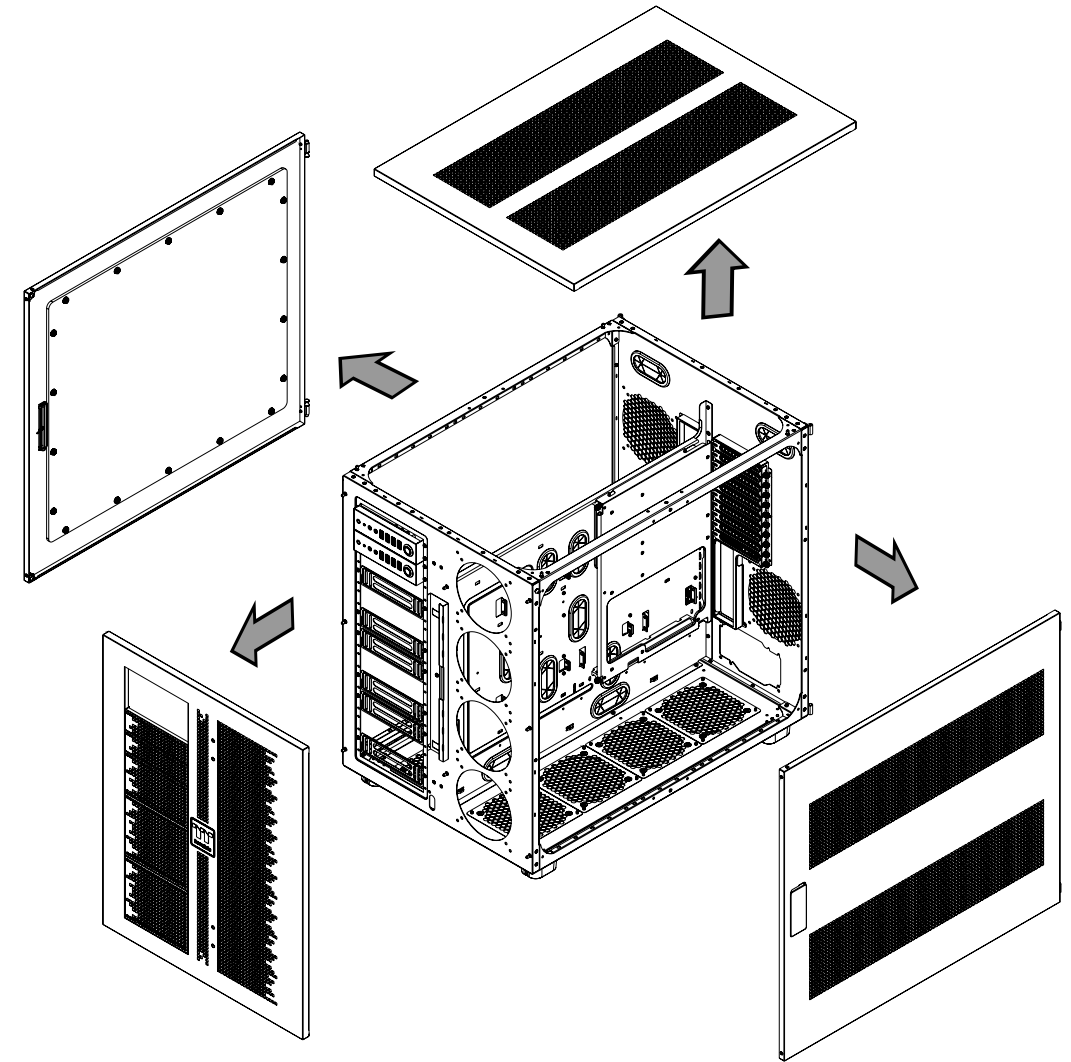
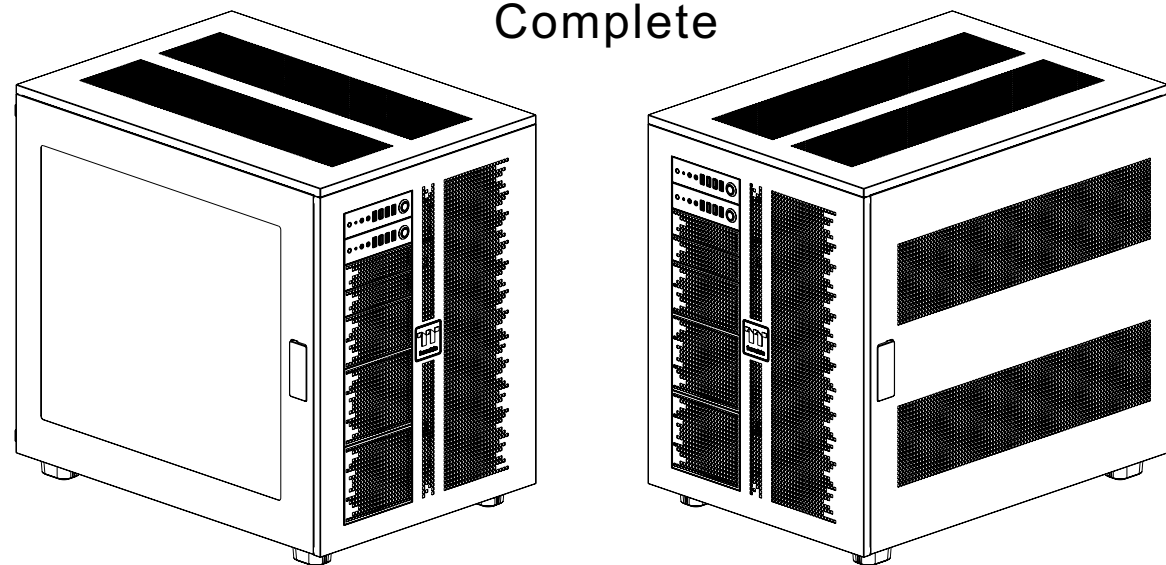
-----  
-----  
-----  
-----  
-----  
-----  
-----



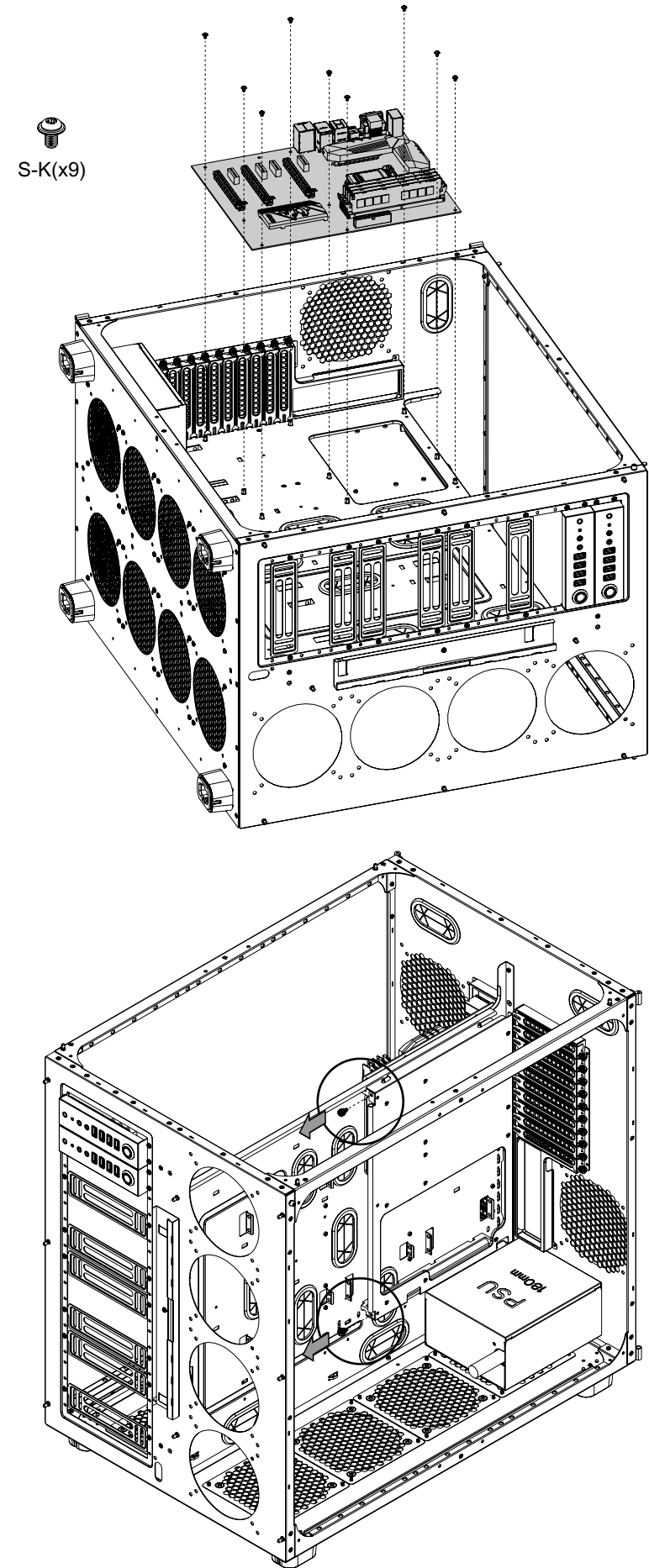
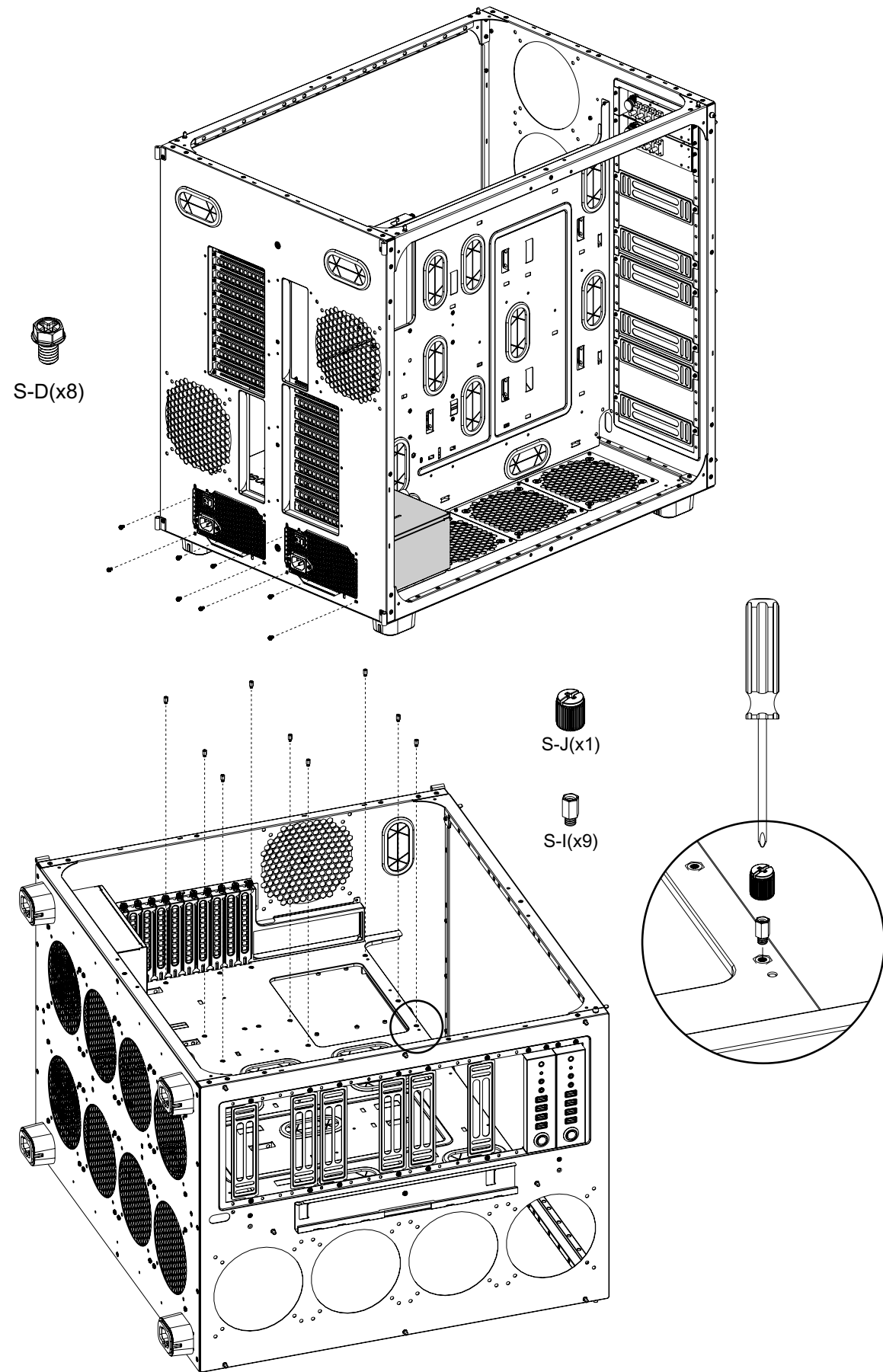




Complete



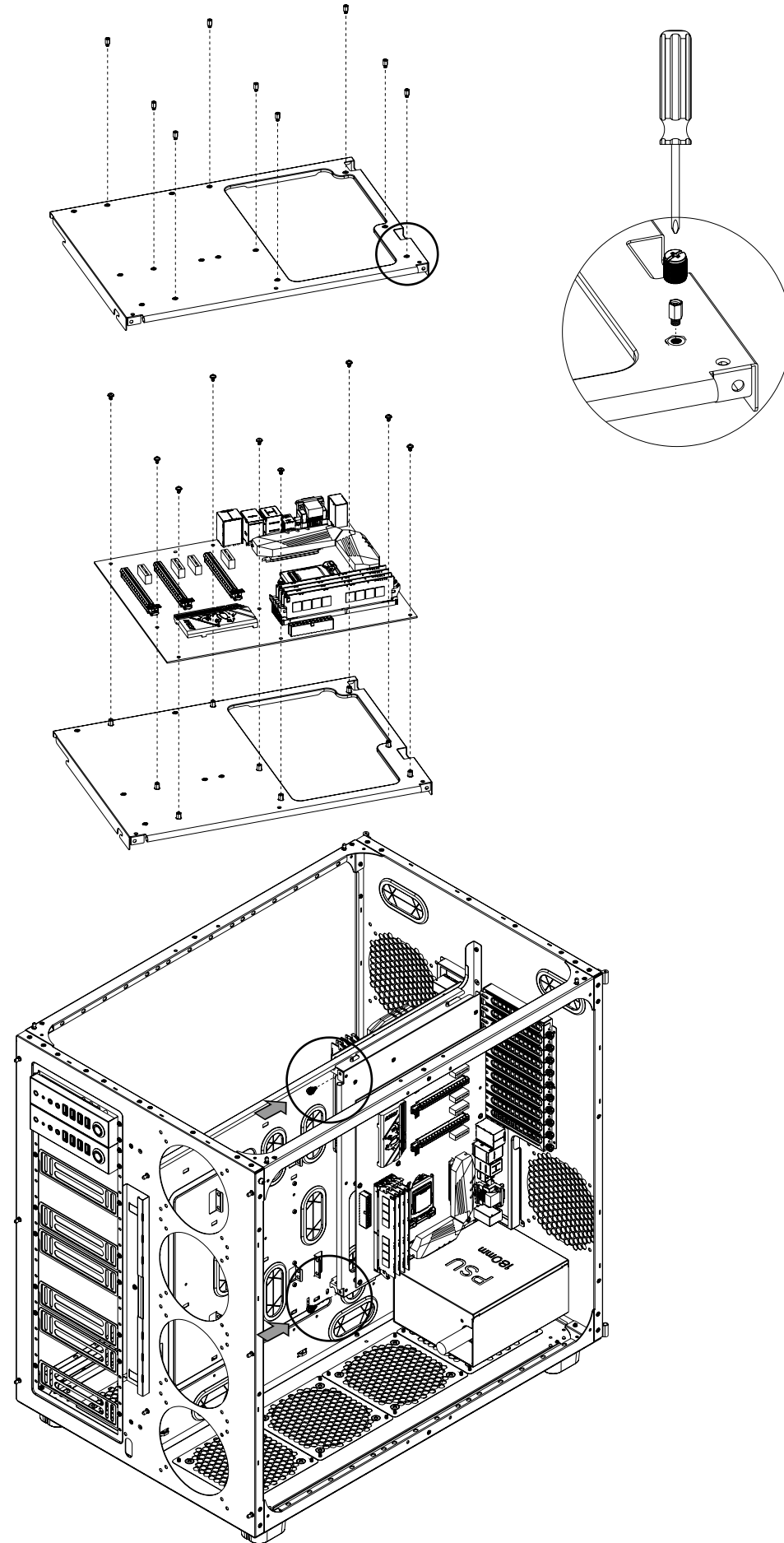
O-C(x4)



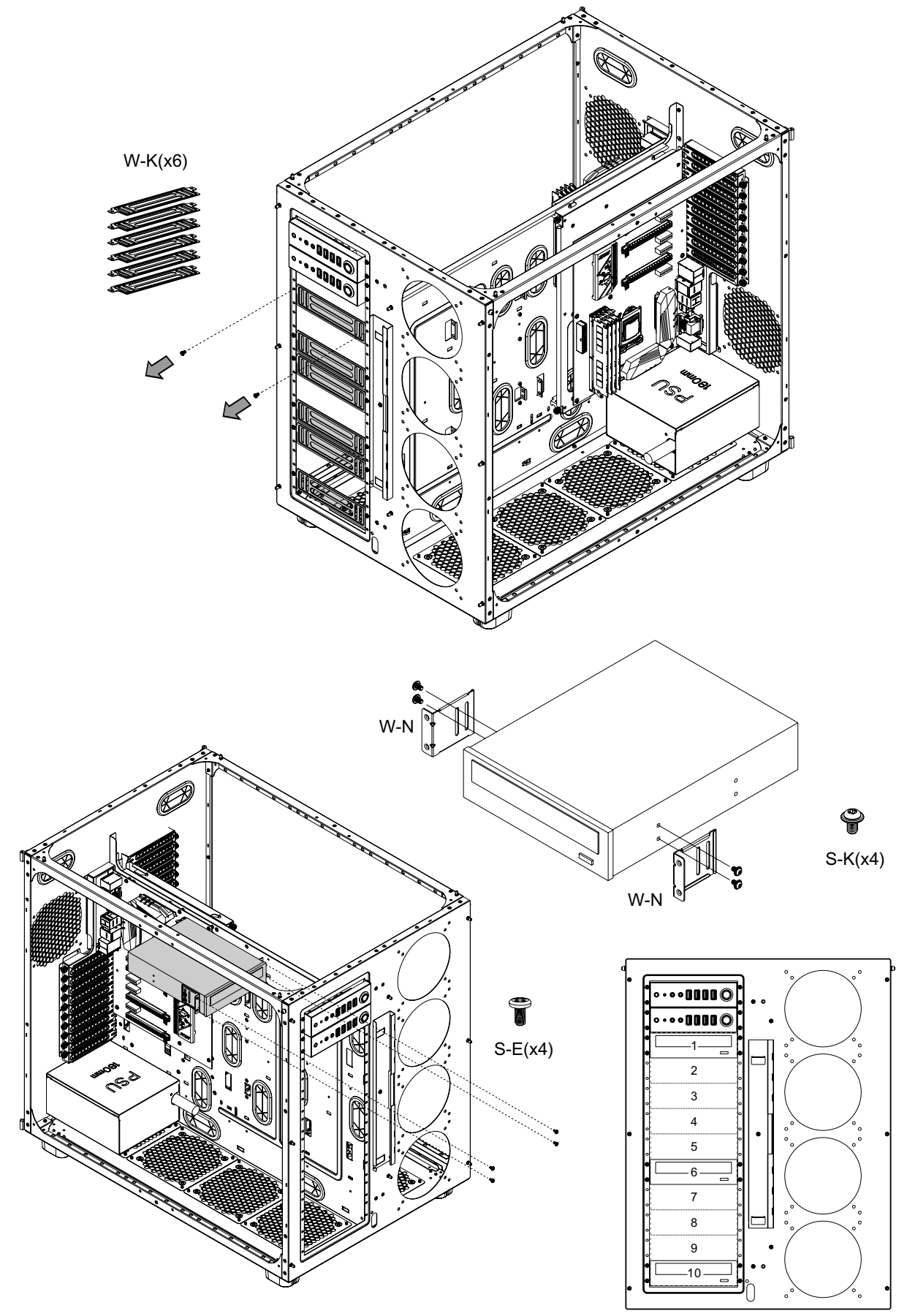
S-J(x1)

S-I(x9)

S-K(x9)

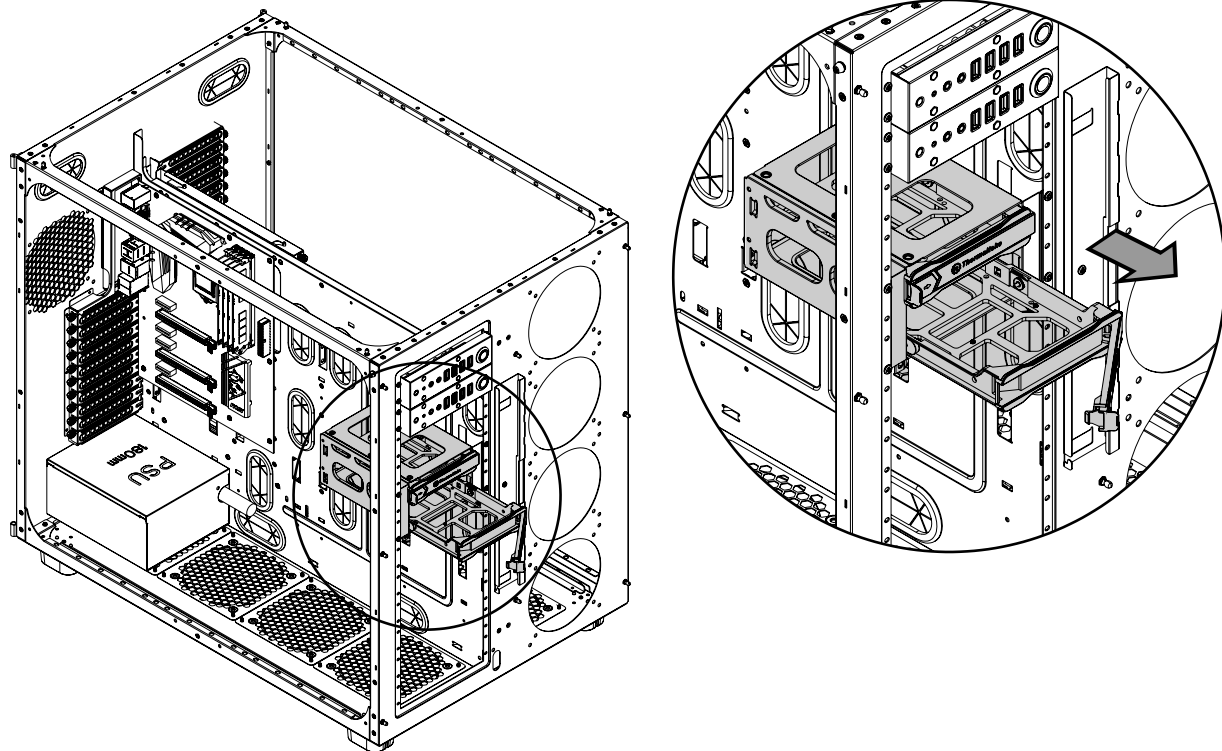
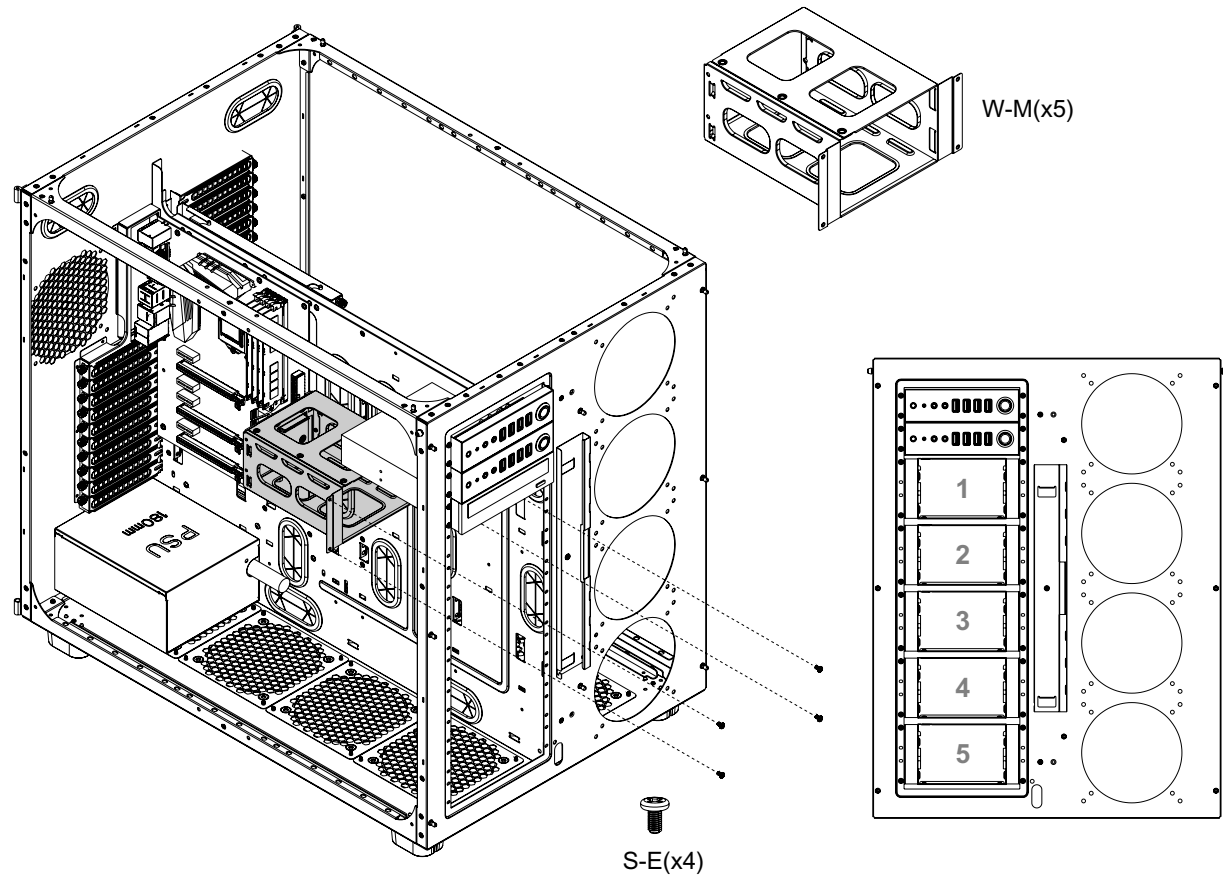


W-K(x6)

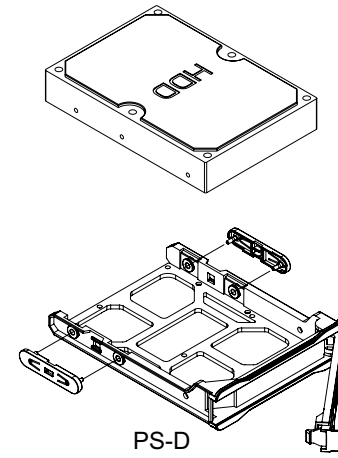


S-K(x4)

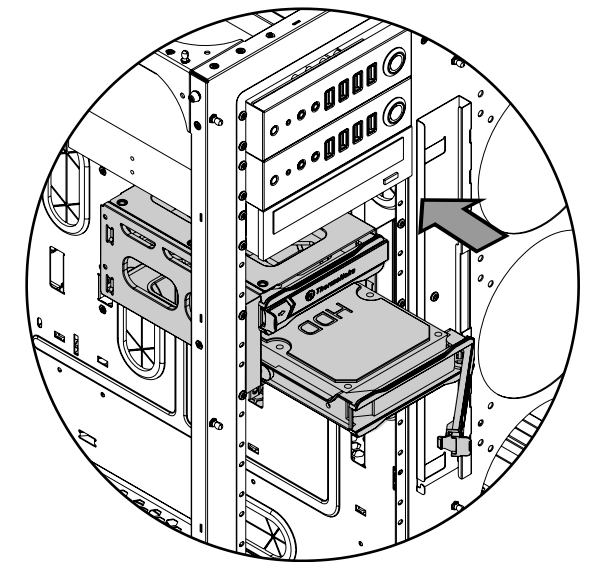
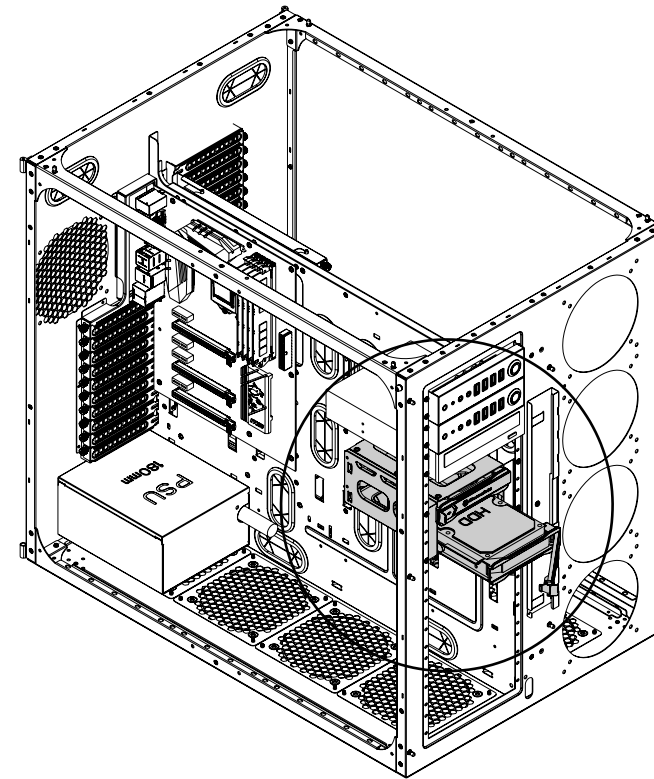
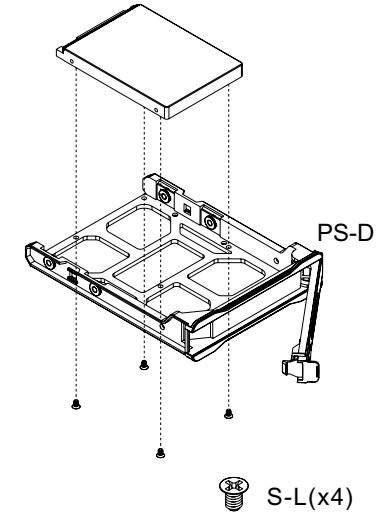
S-E(x4)

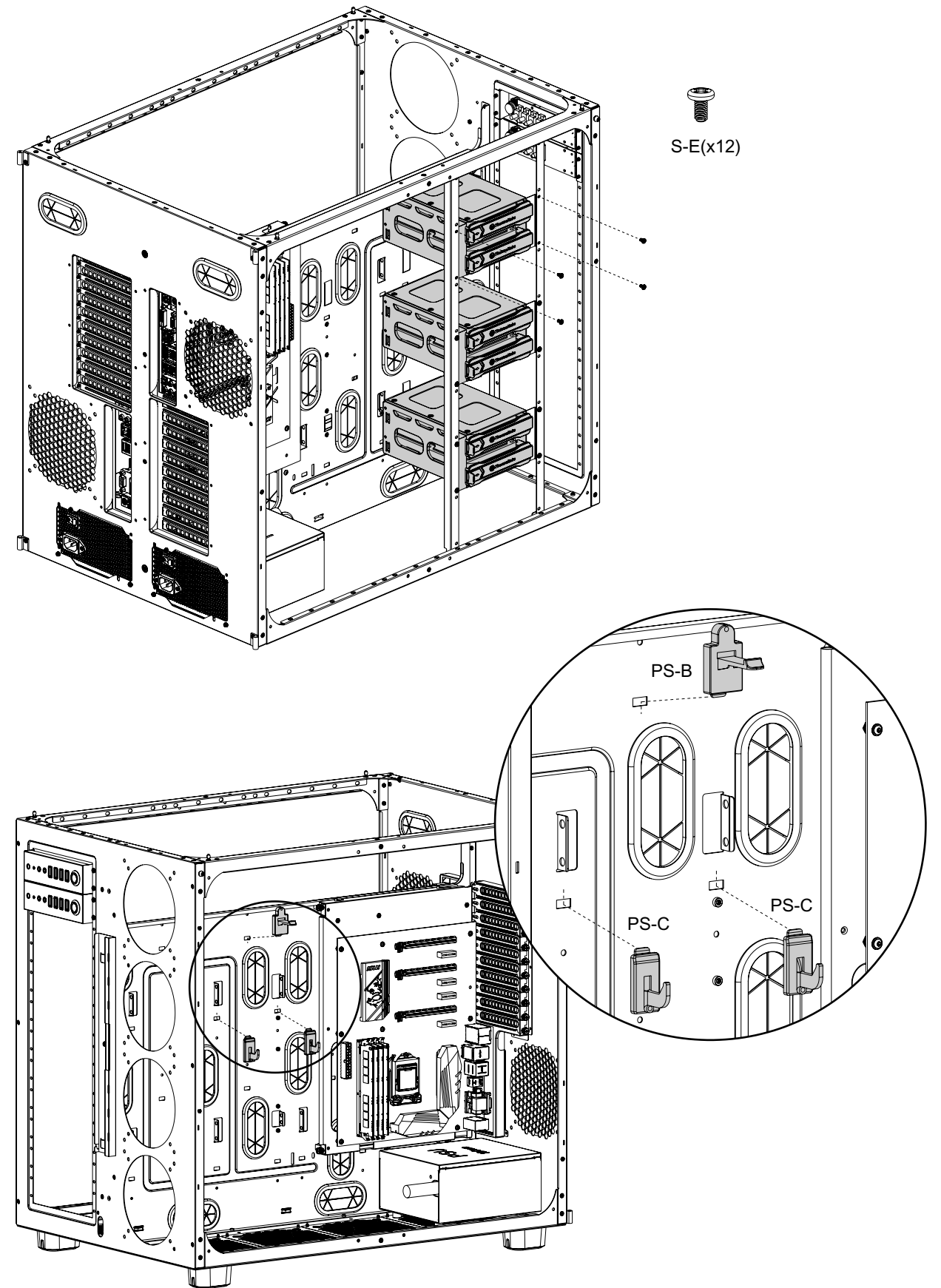
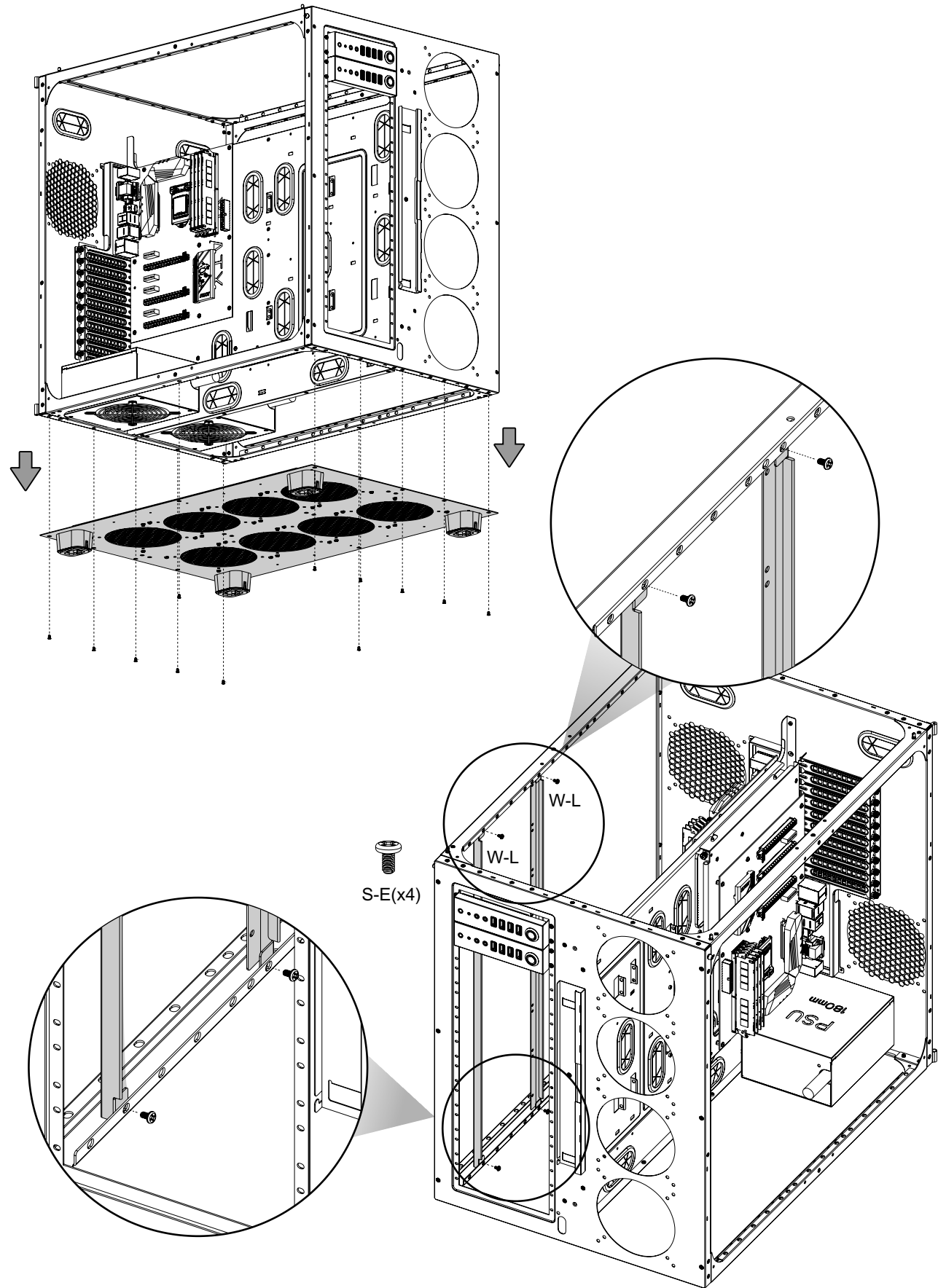


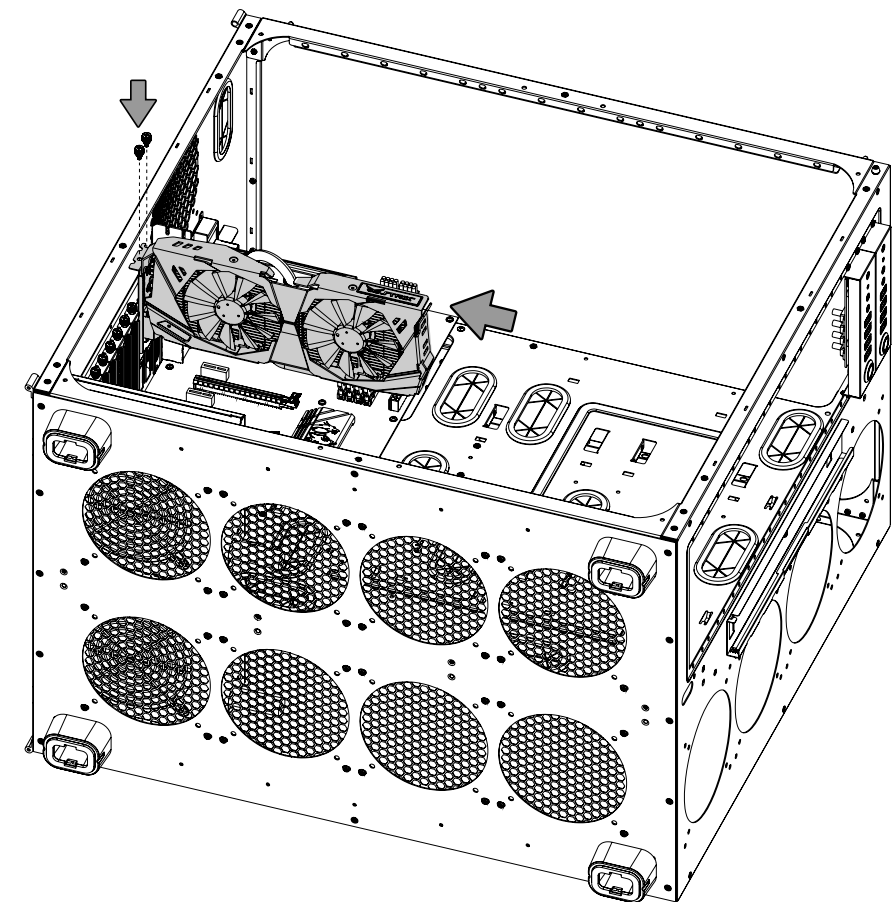
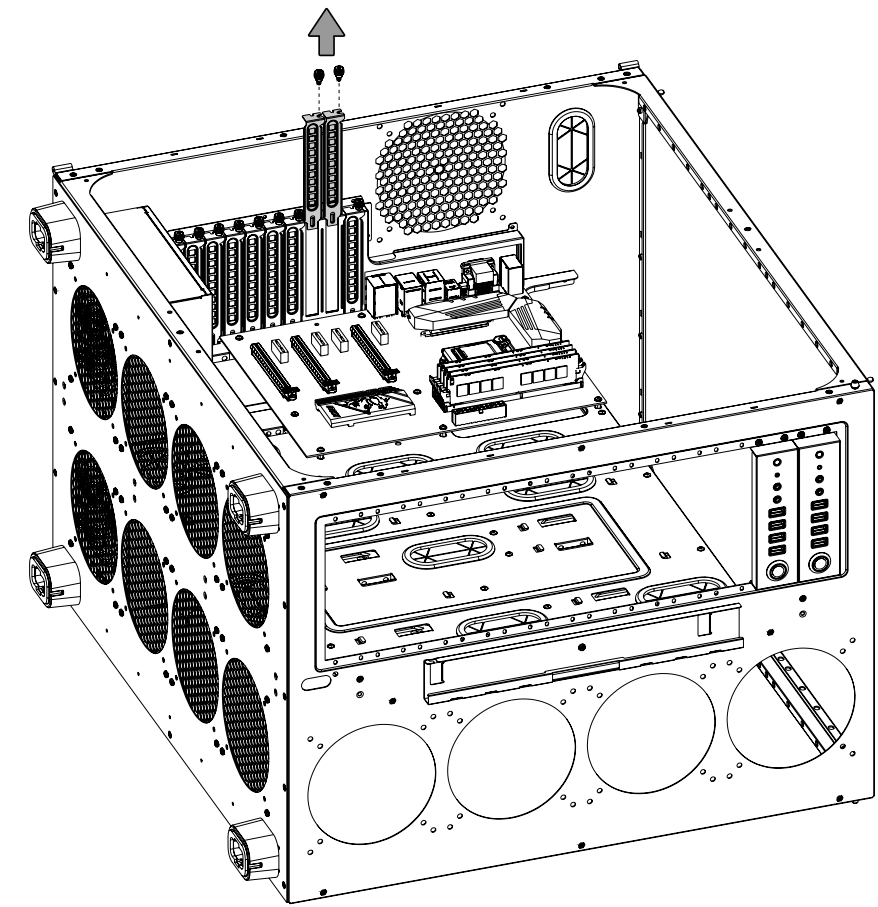
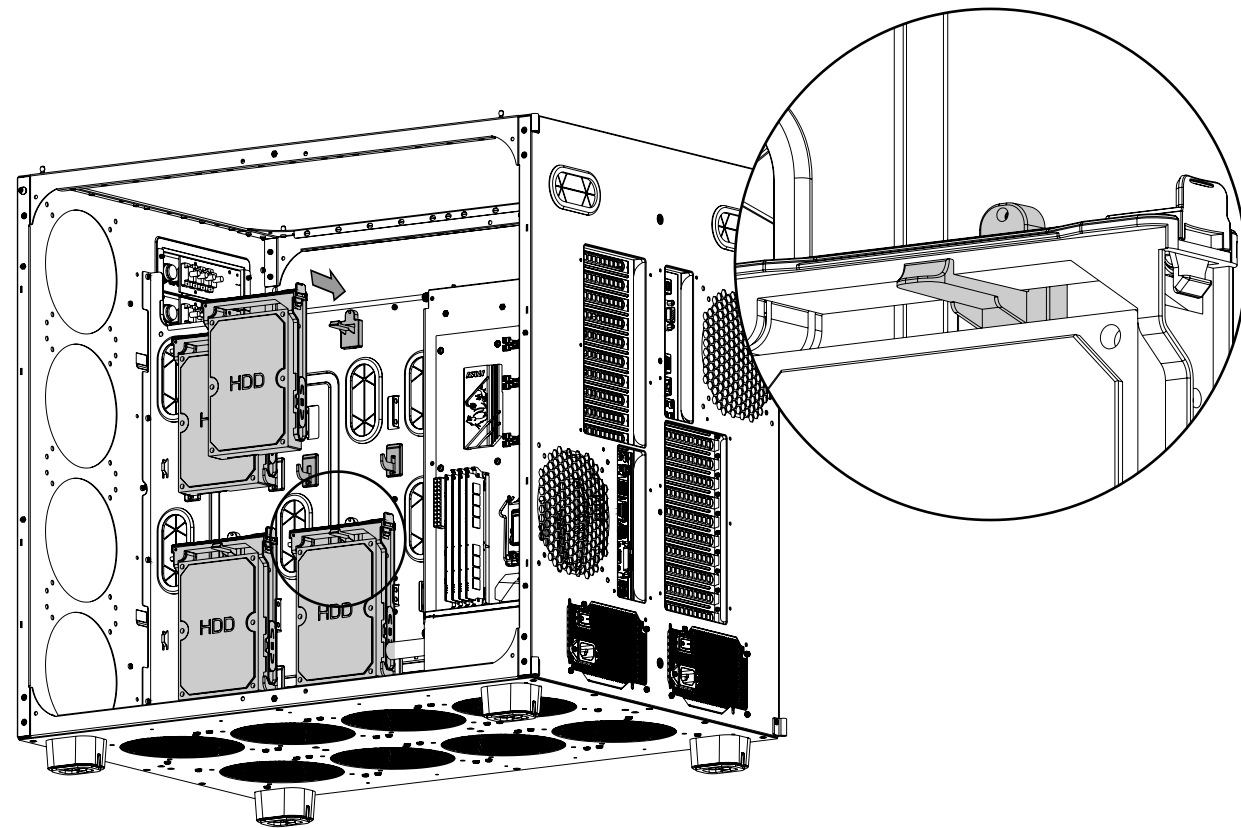
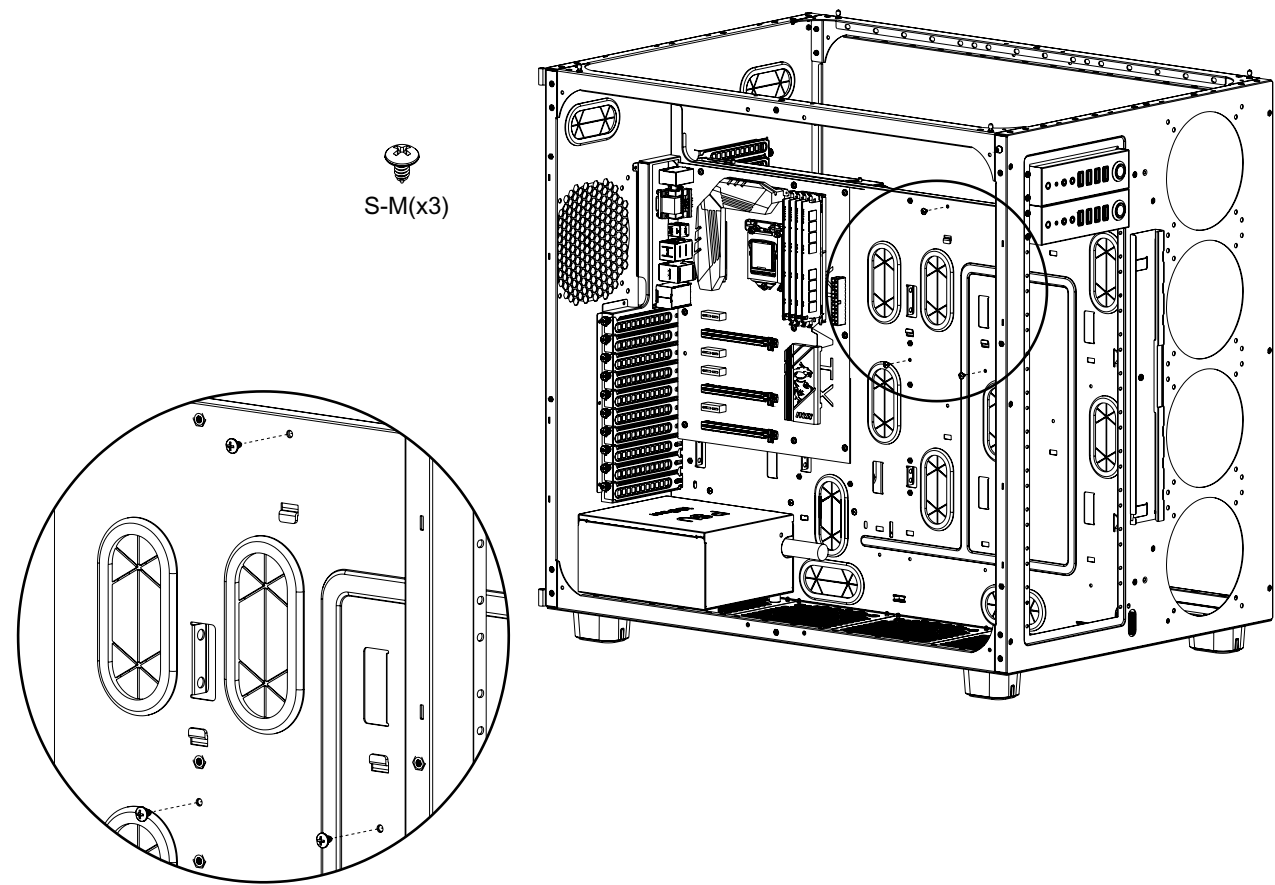
3.5" HDD

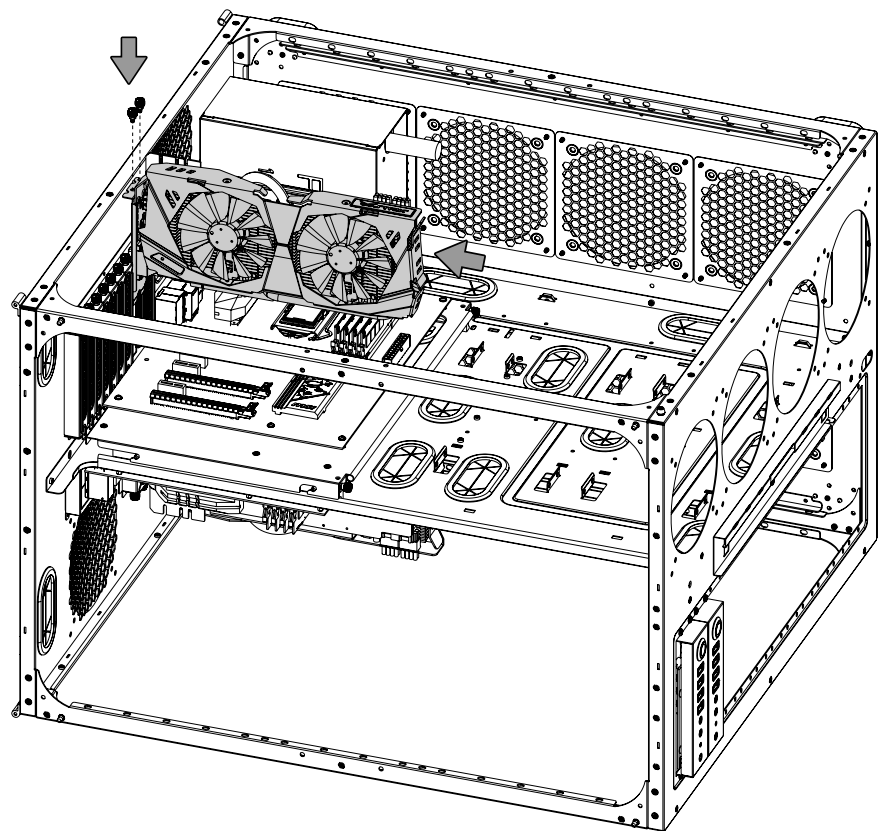
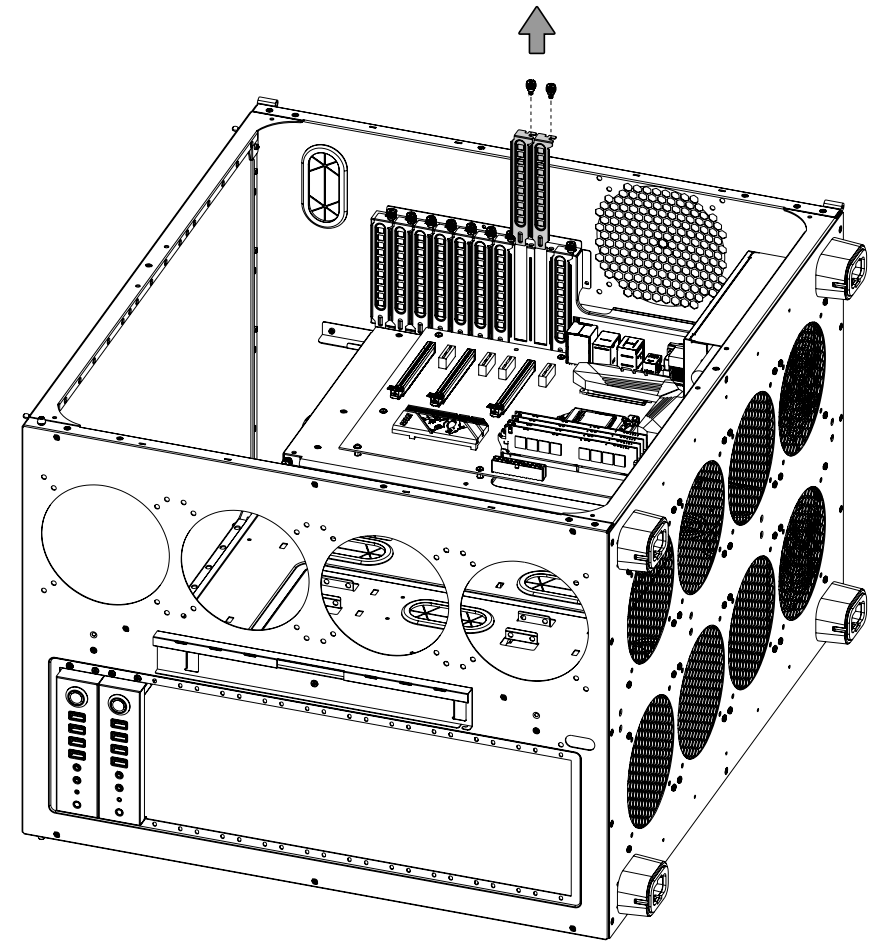


2.5" HDD/SSD

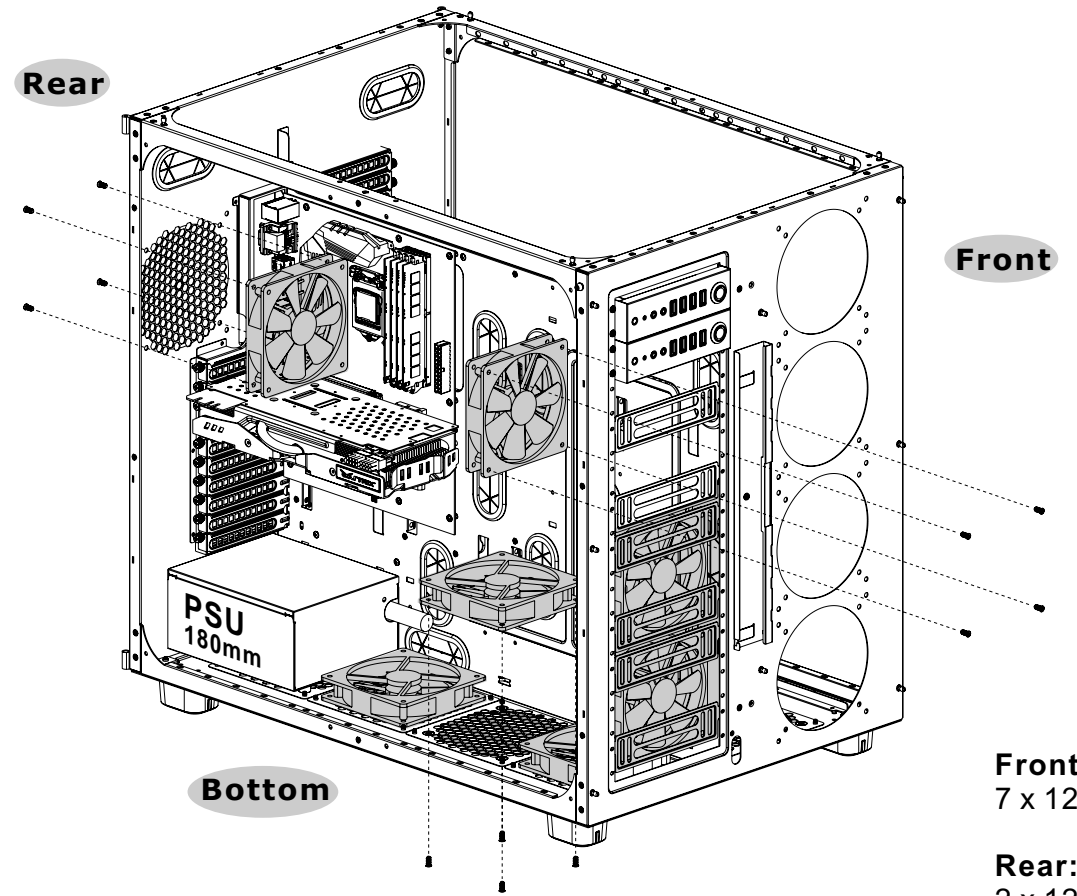








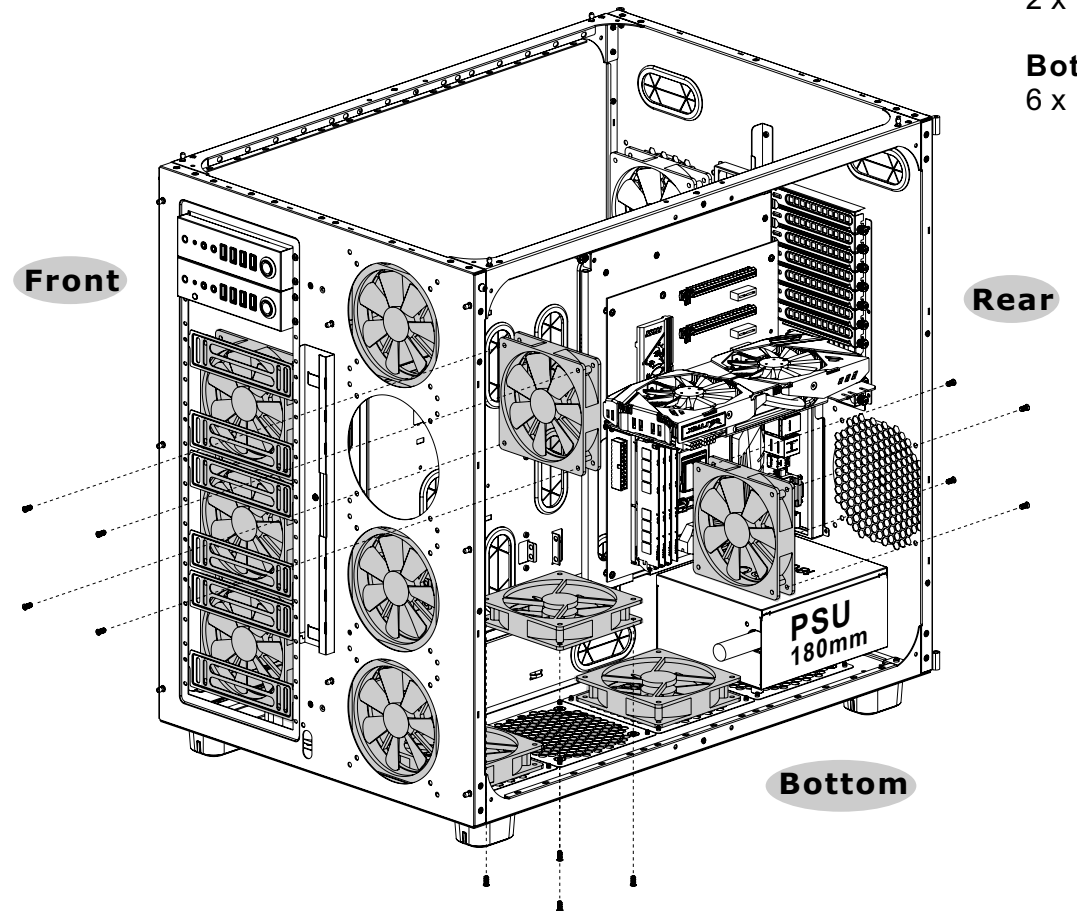
12 cm Fan



Front:  
7 x 120mm

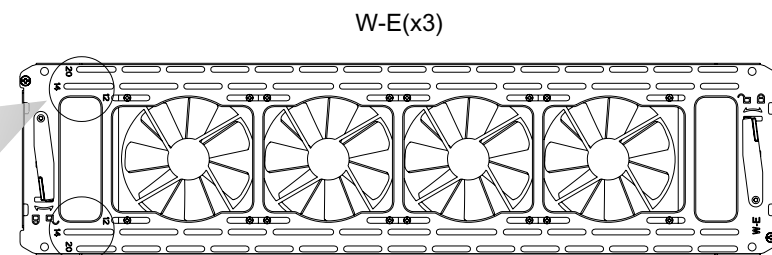
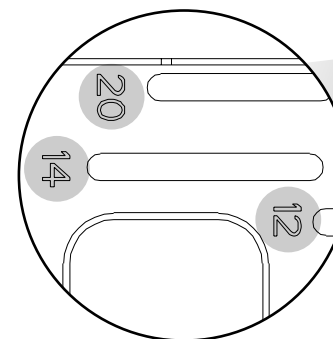
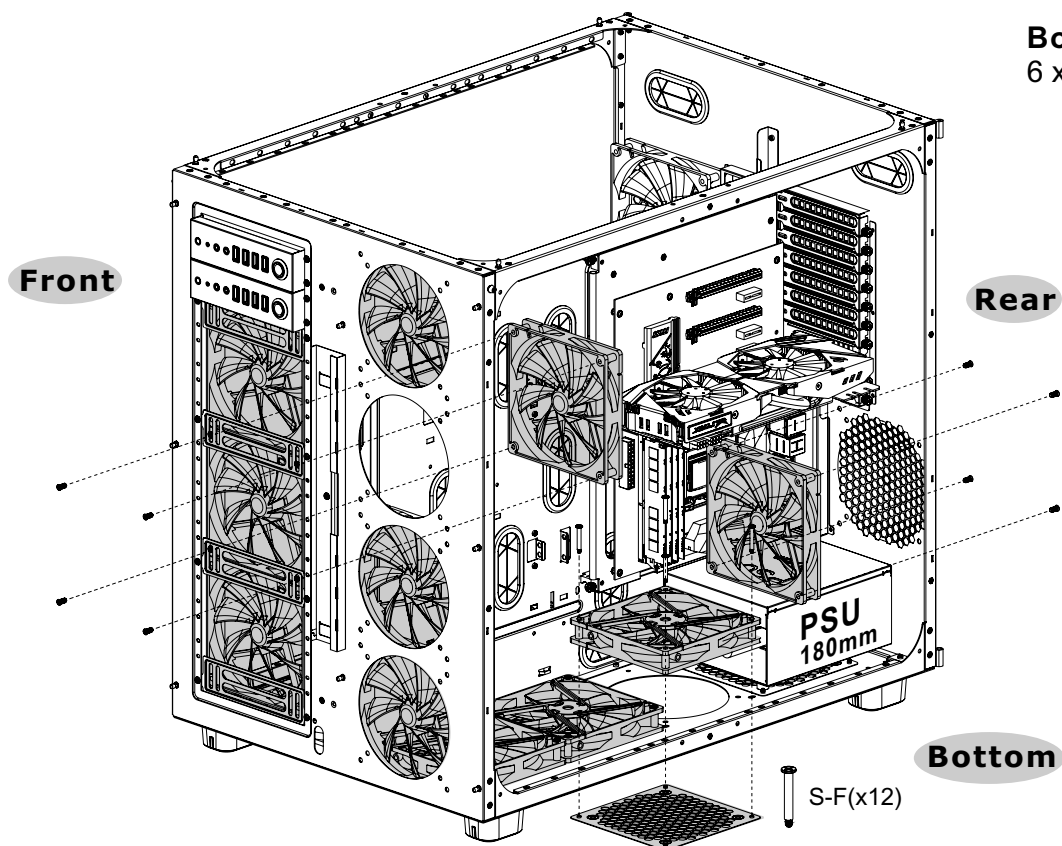
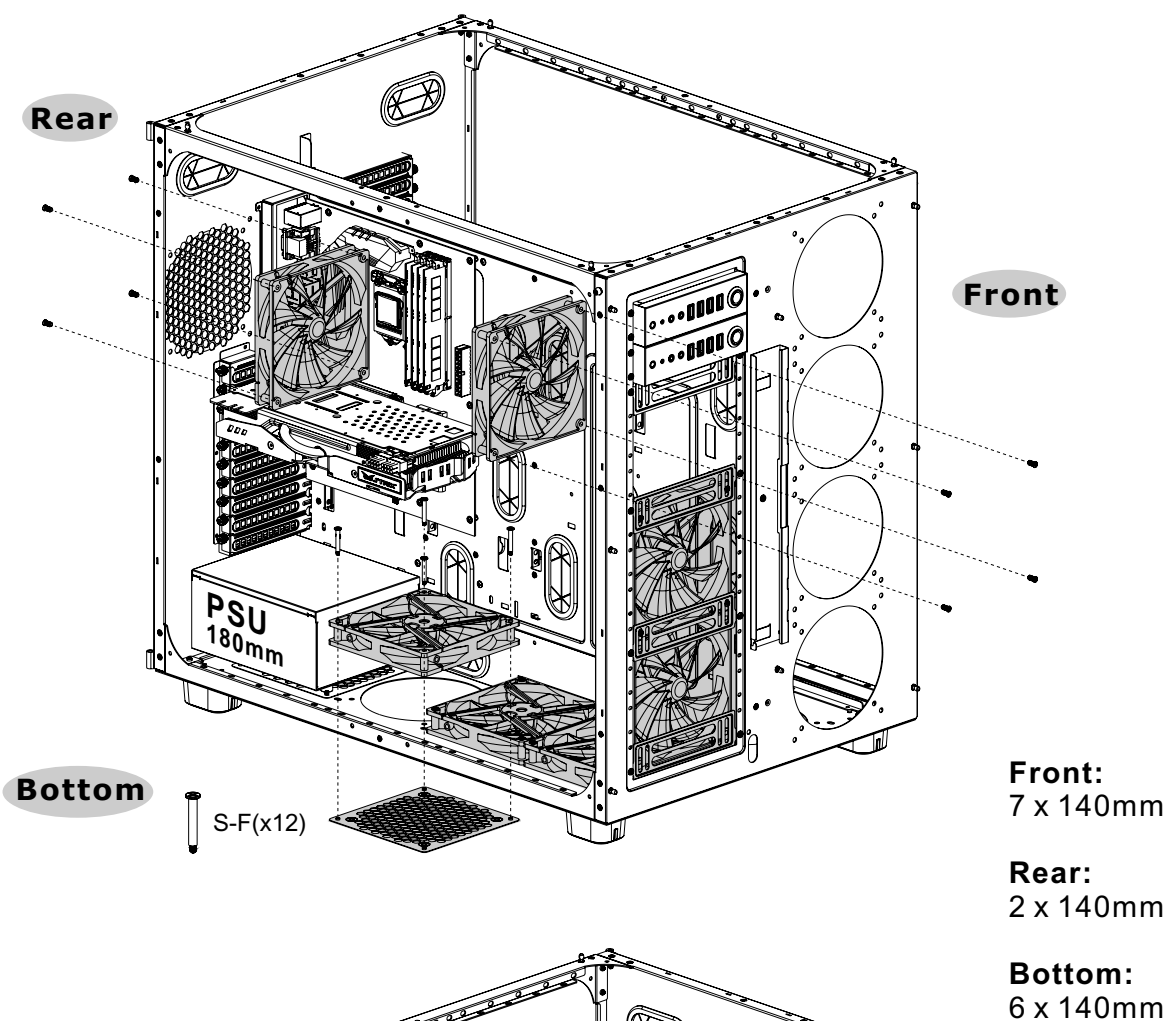
Rear:  
2 x 120mm

Bottom:  
6 x 120mm



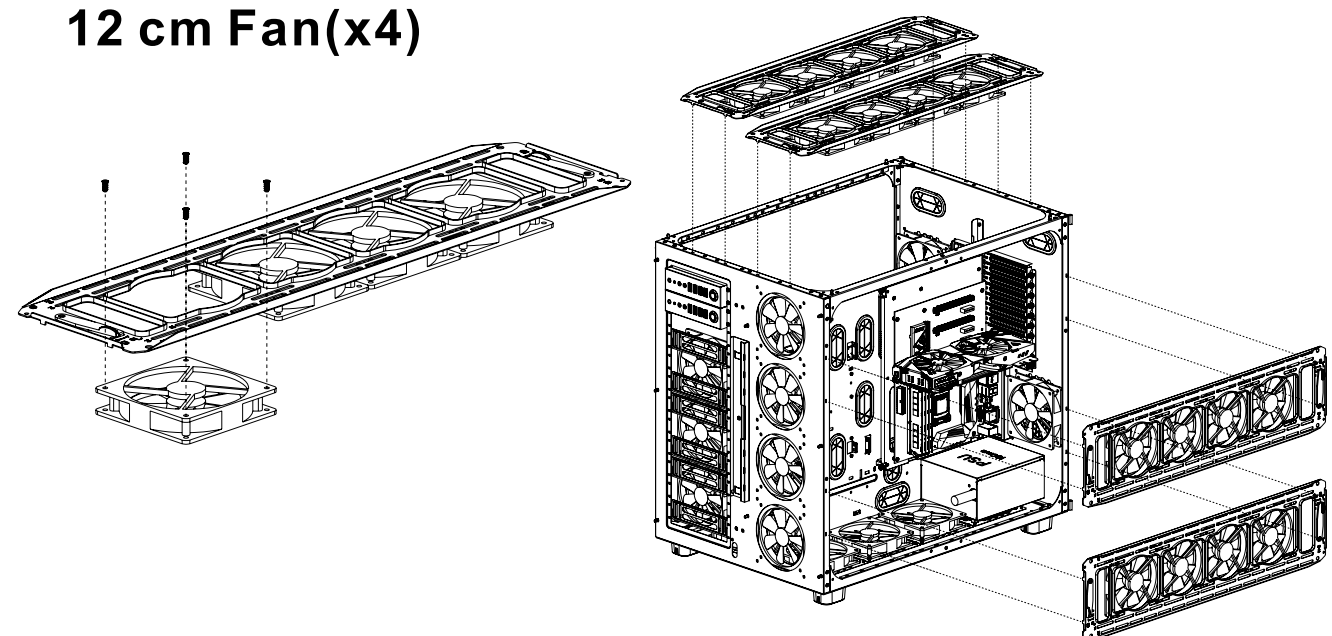


### 14 cm Fan

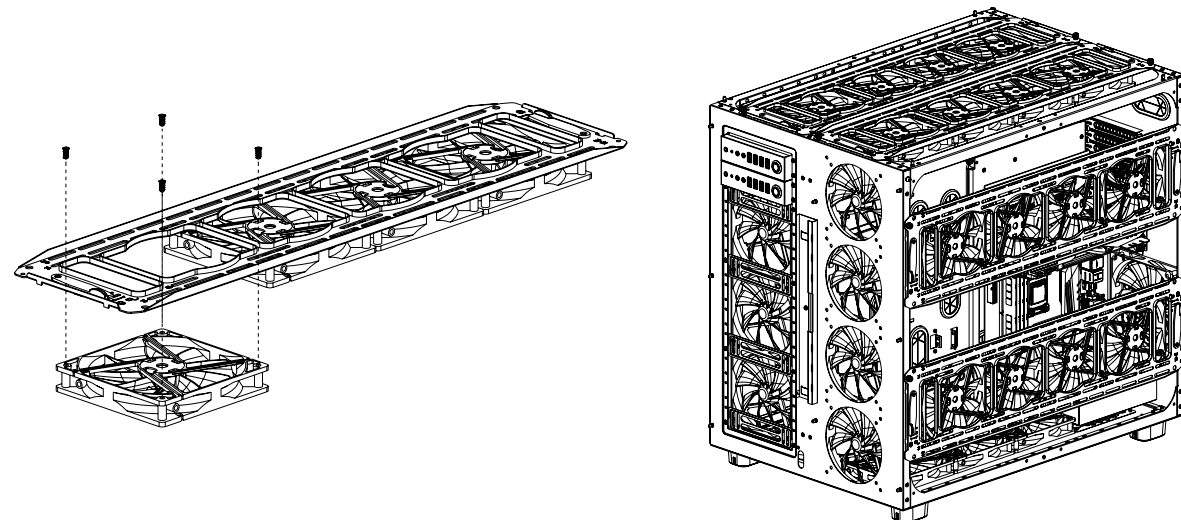


12: for 12cm fan  
14: for 14cm fan  
20: for 20cm fan

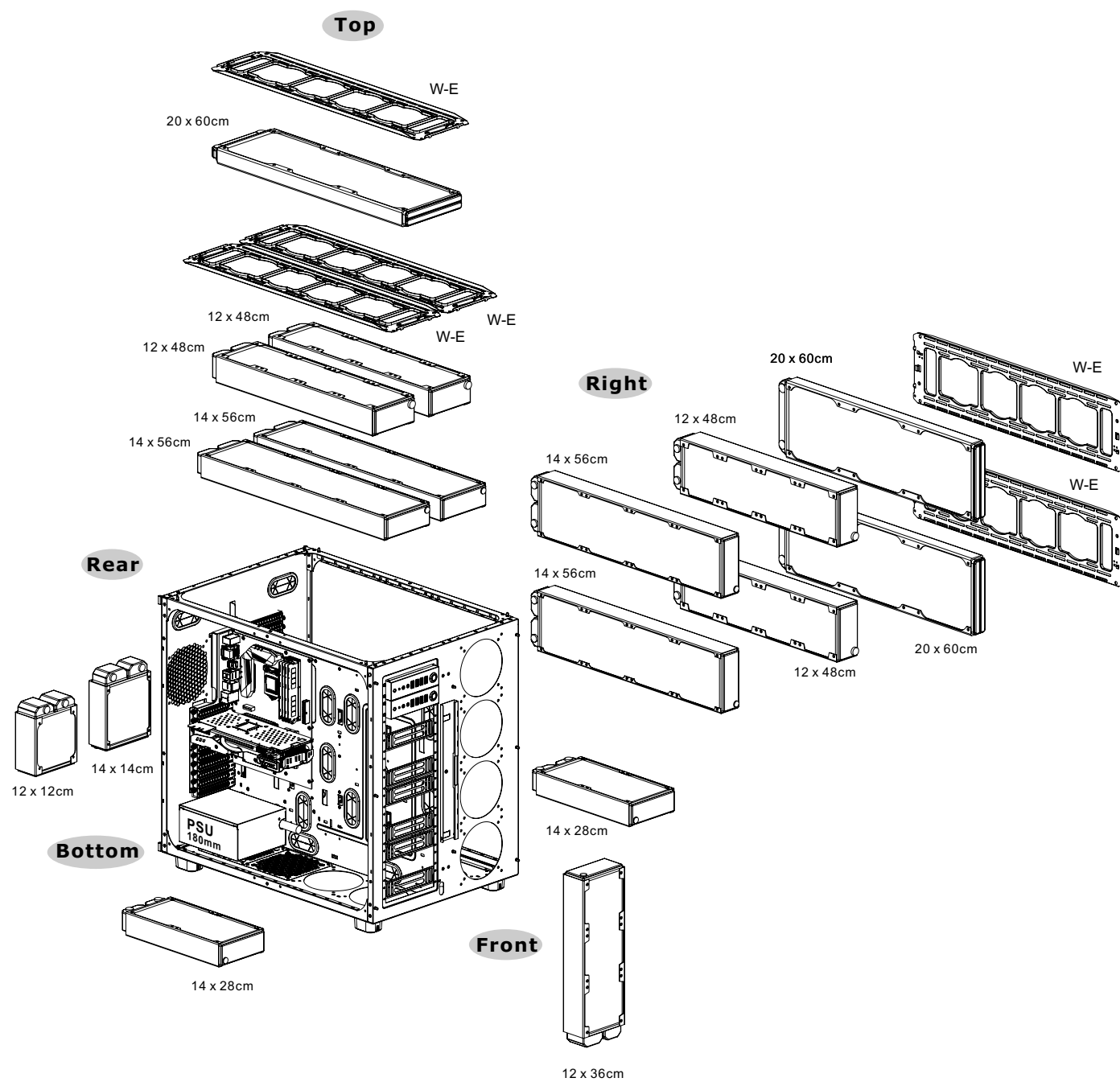
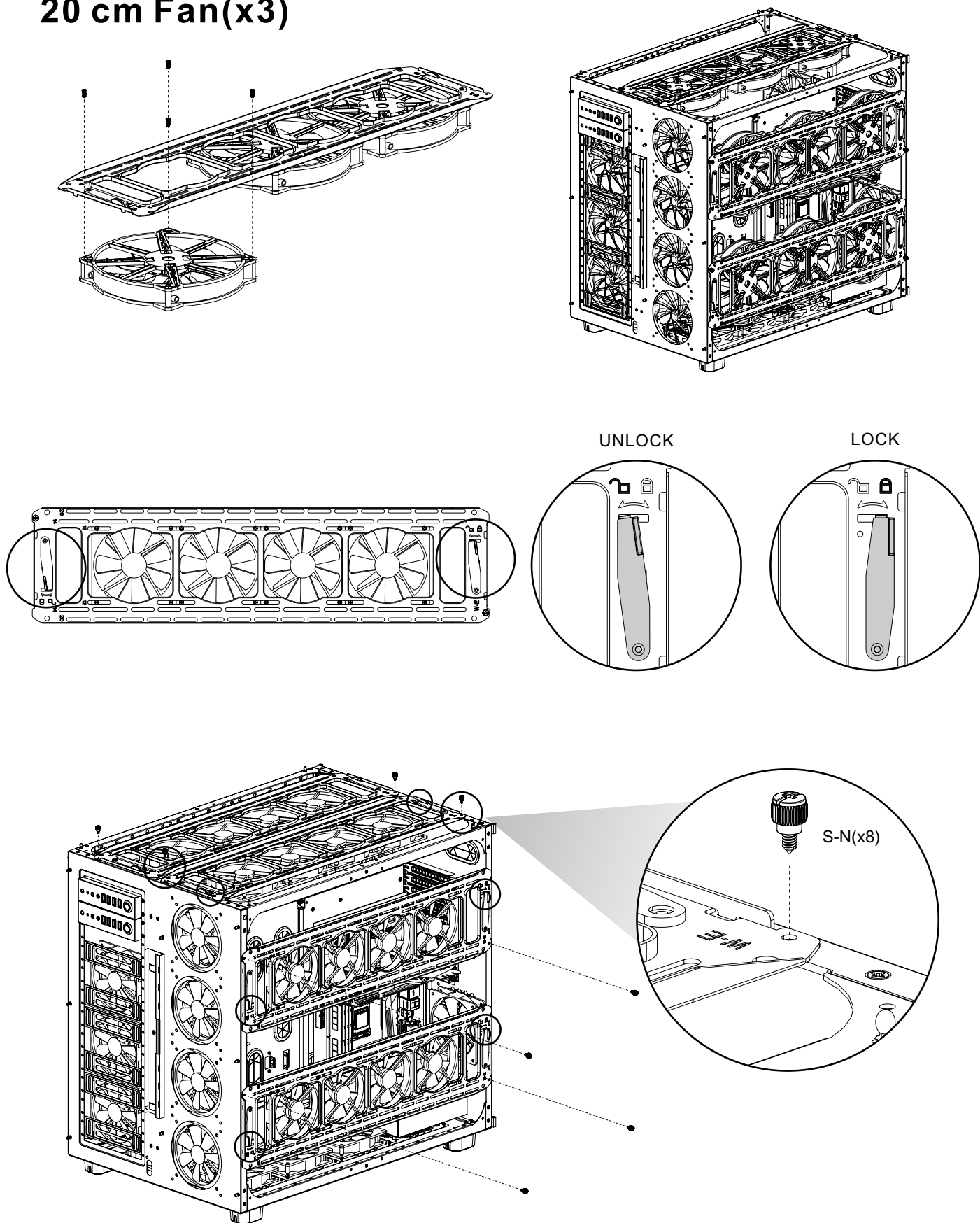
### 12 cm Fan(x4)



### 14 cm Fan(x4)



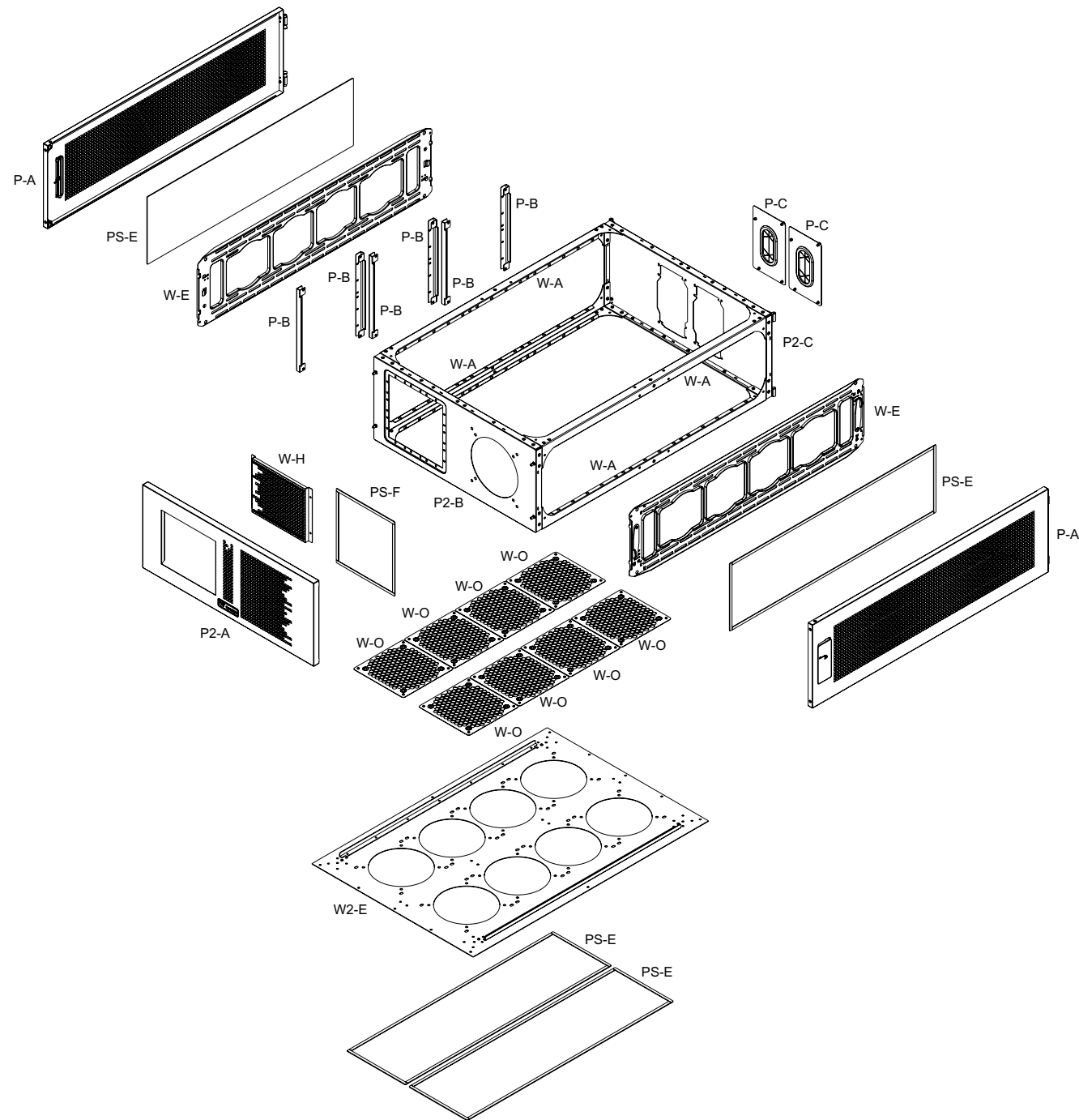
20 cm Fan(x3)



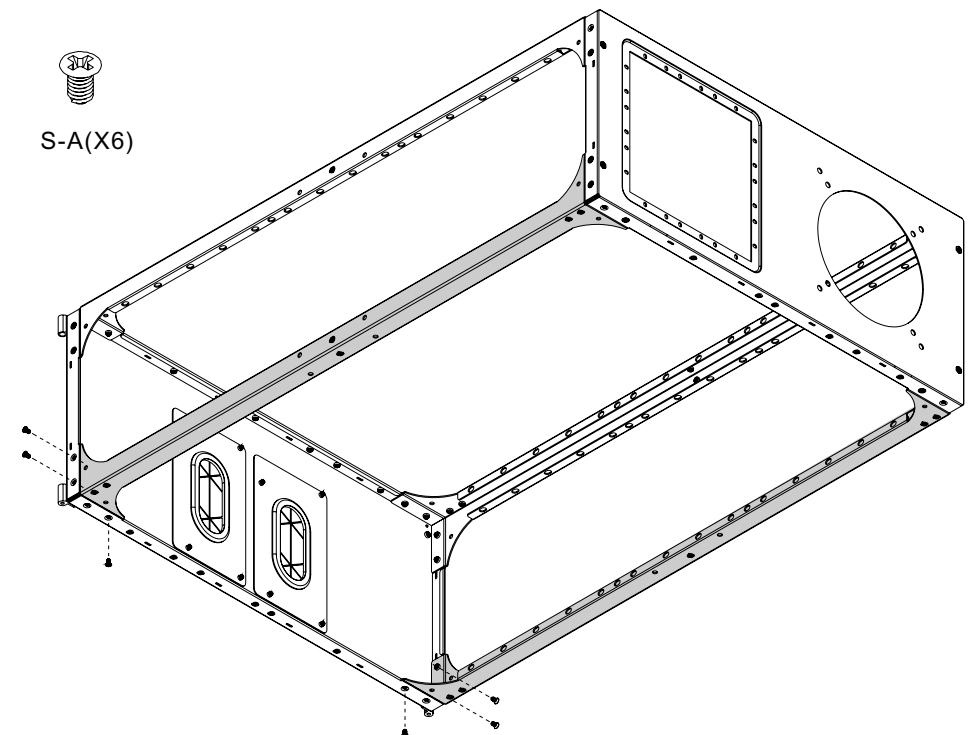
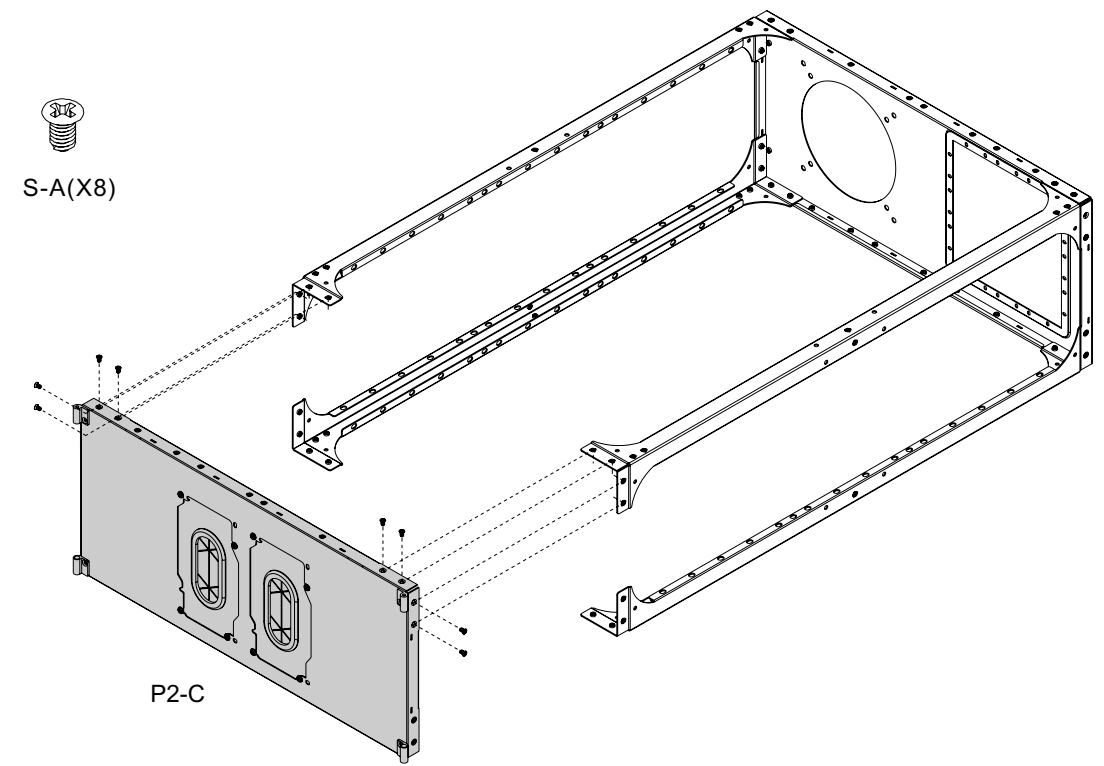
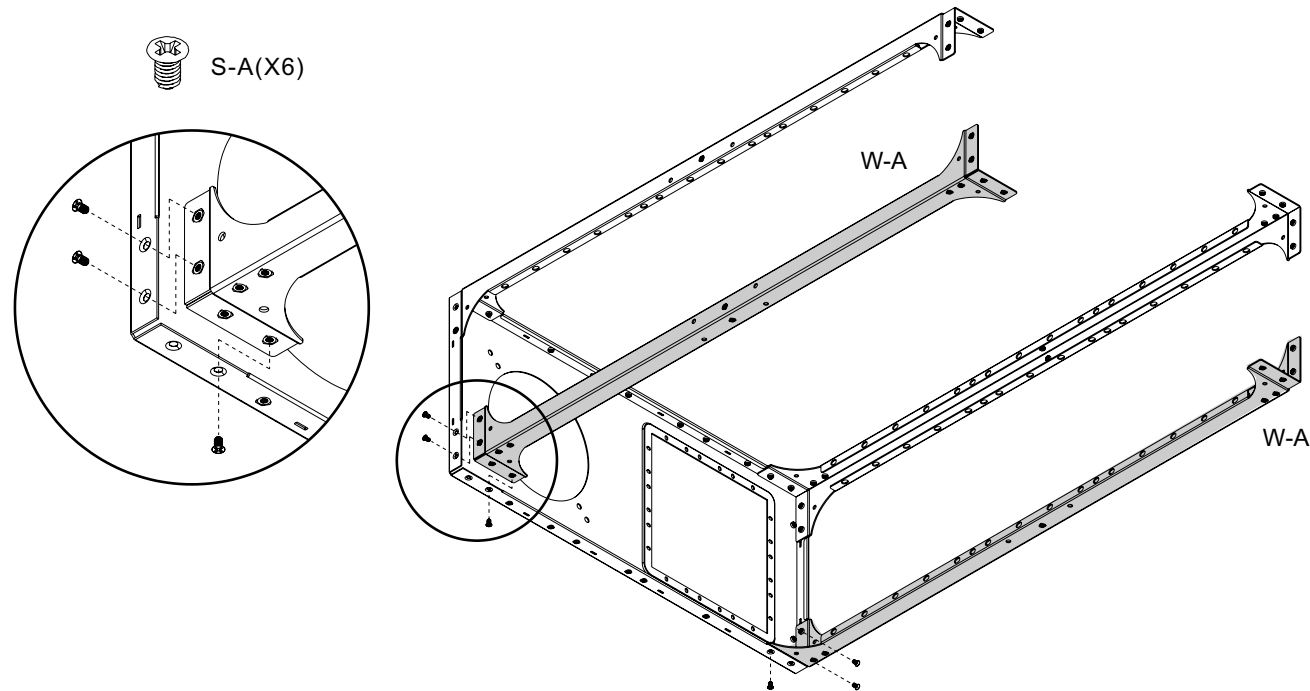
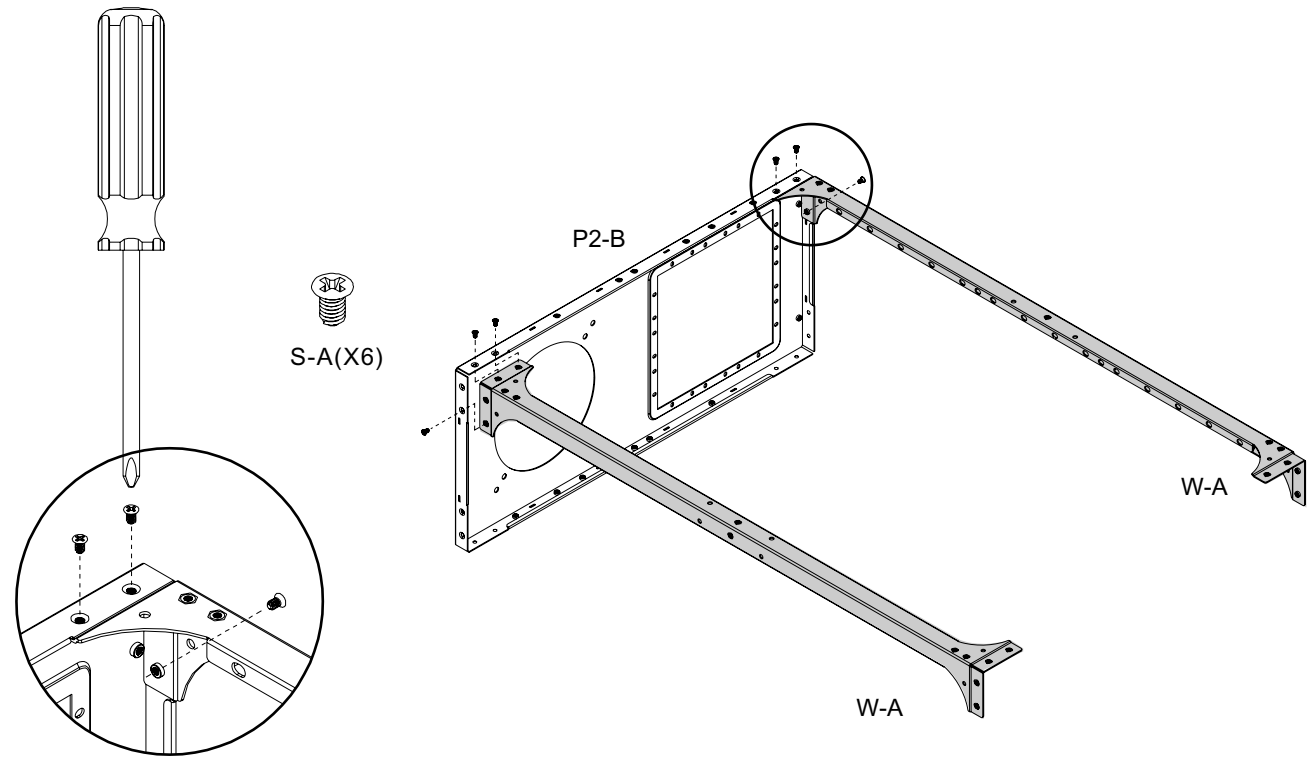
- Front :**  
1 x 360mm
- Top :**  
2 x 480mm , 2 x 560mm , 1 x 600mm
- Rear :**  
1 x 120mm , 1 x 140mm
- Bottom :**  
2 x 280mm
- Right :**  
2 x 480mm , 2 x 560mm , 2 x 600mm

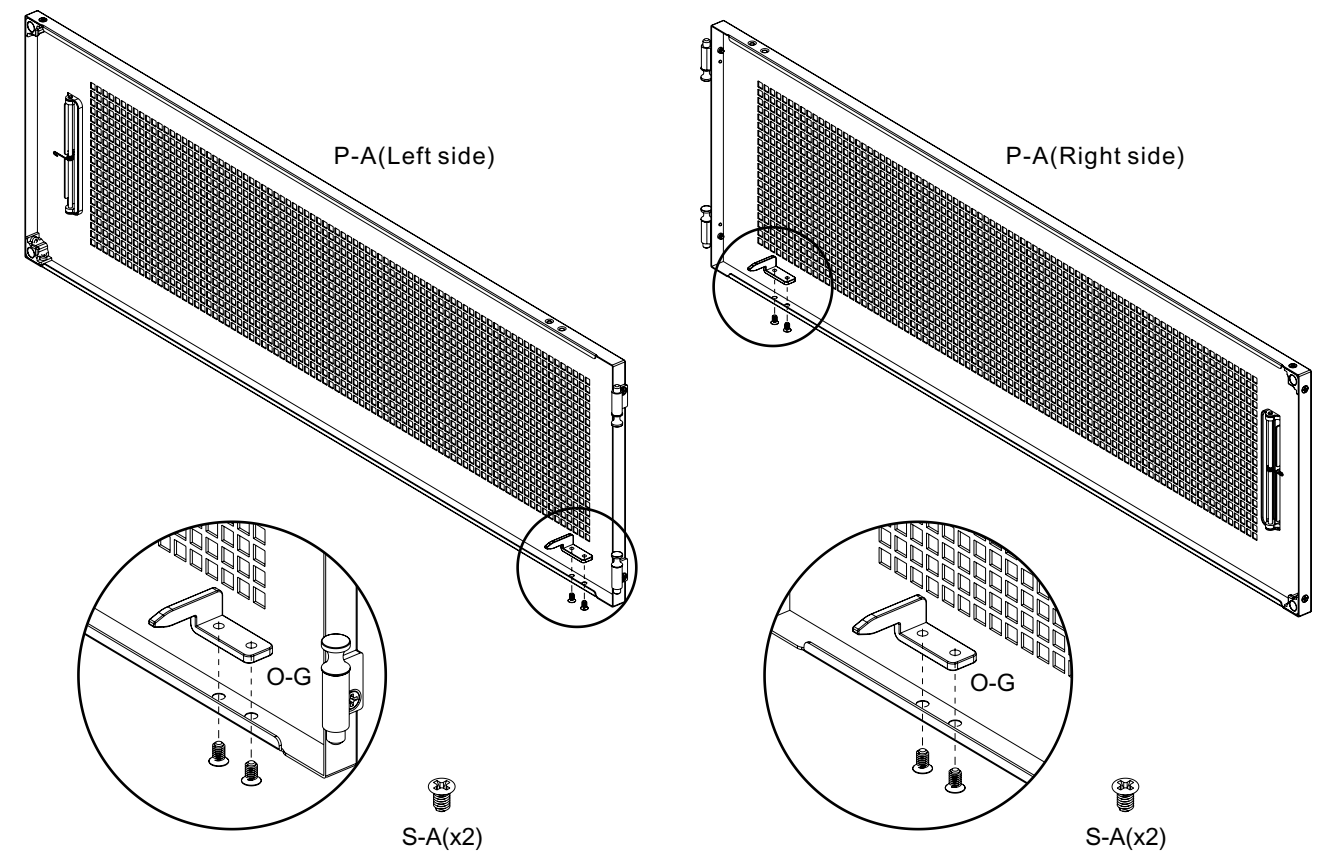
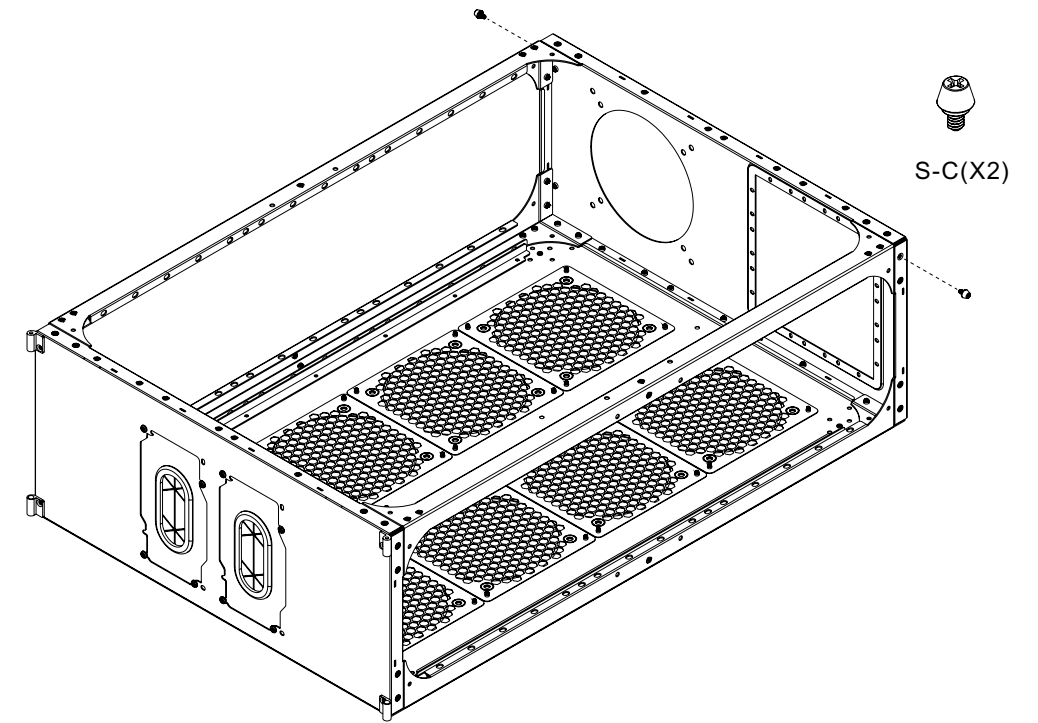
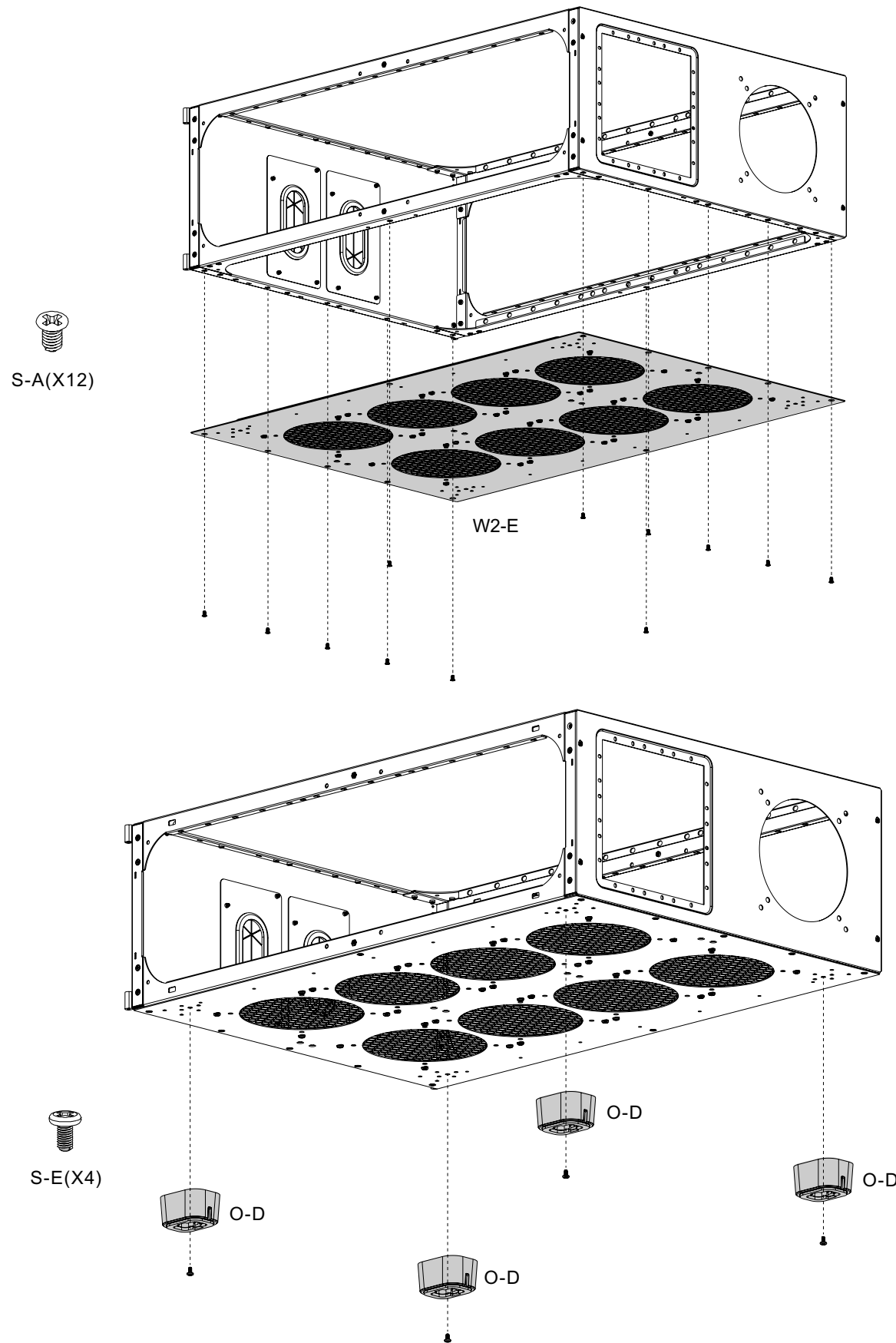
NO	CODE	PARTLIST	Q'ty
1	P2-A	BEZEL	1
2	P2-B	FRONT PANEL	1
3	P2-C	BACK PANEL	1
4	W2-E	BOTTOM PANEL	1
5	W-A	CORNER BAR	4
6	P-A	AIR SIDE PANEL	2

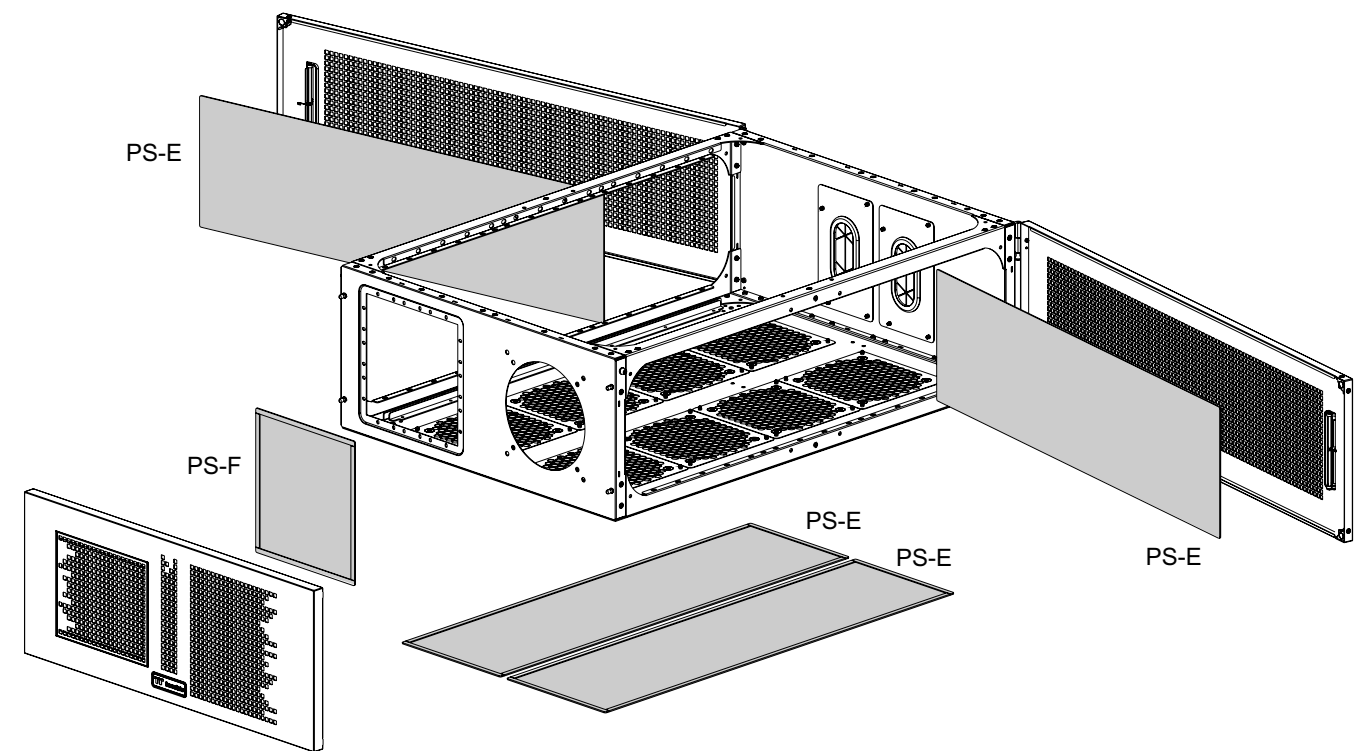
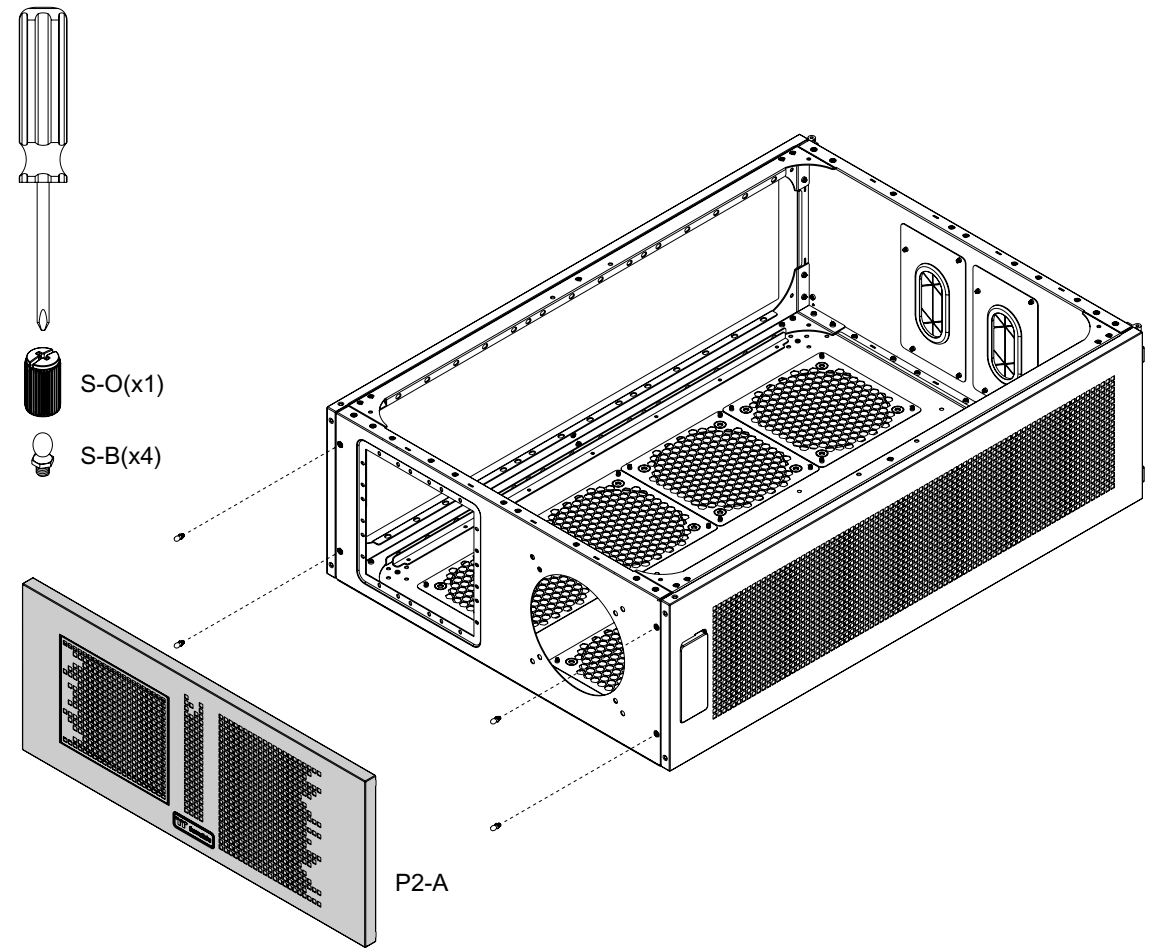
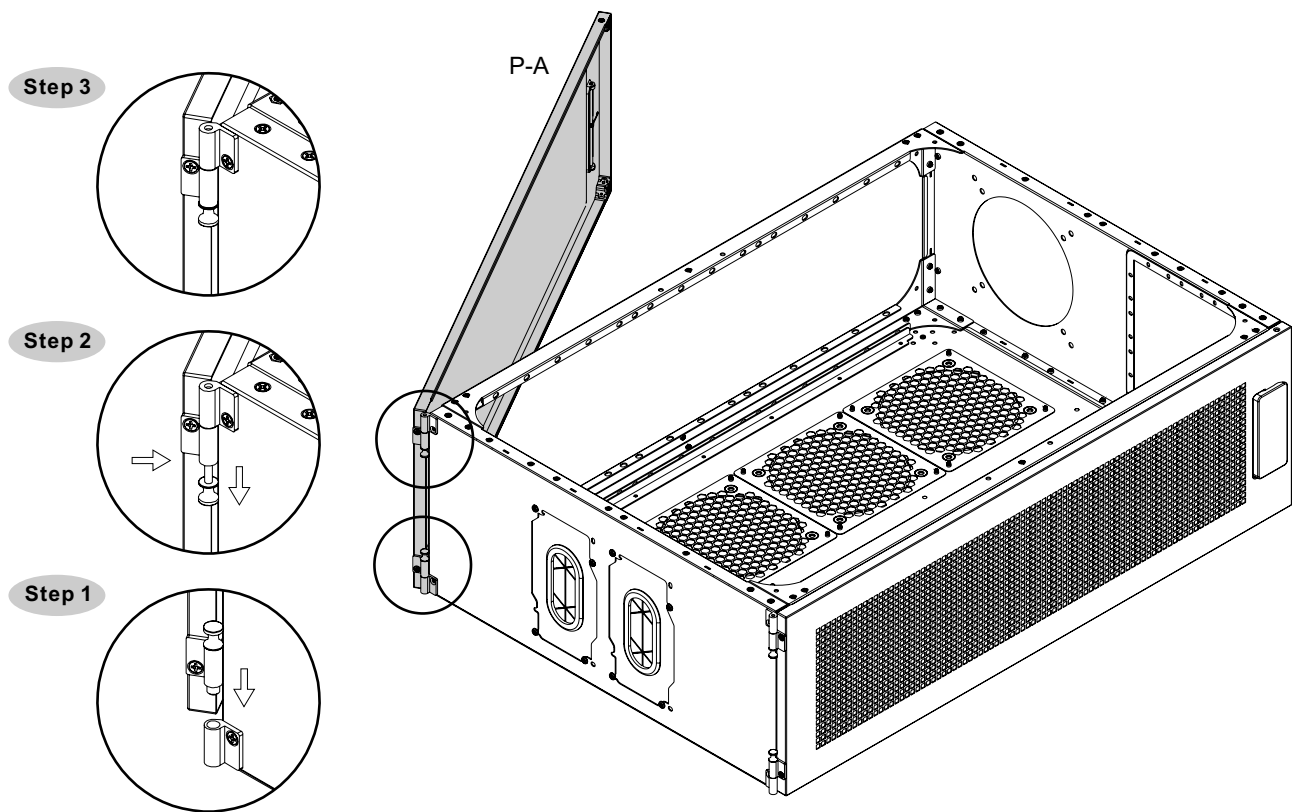
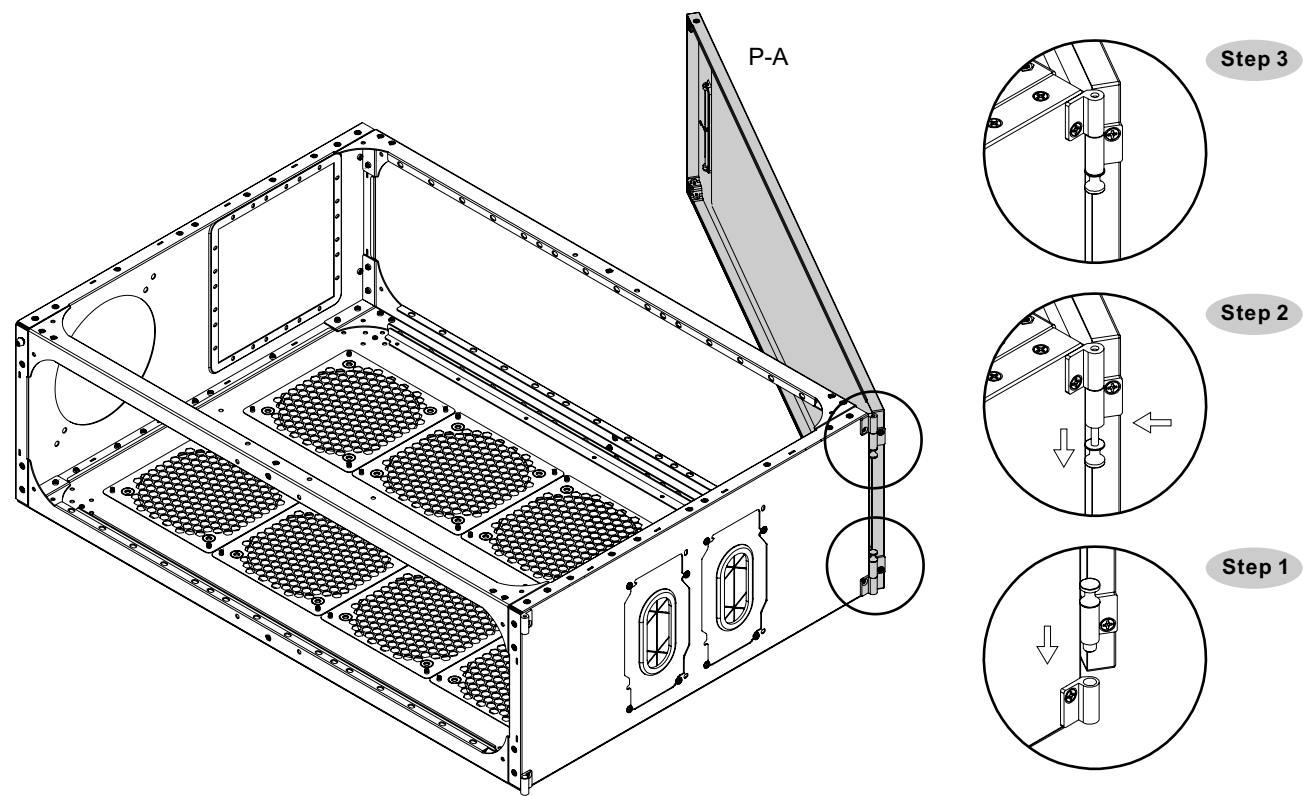
7	W-E	RADIATOR BRACKET	2
8	W-H	3 BAY PLATE	1
9	P-B	HDD CAGE BRACKET	6
10	P-C	BACK COVER	2
11	W-O	FAN HOLE AIR COVER	8
12	PS-E	FILTER	4
13	PS-F	P200 BEZEL FILTER	1

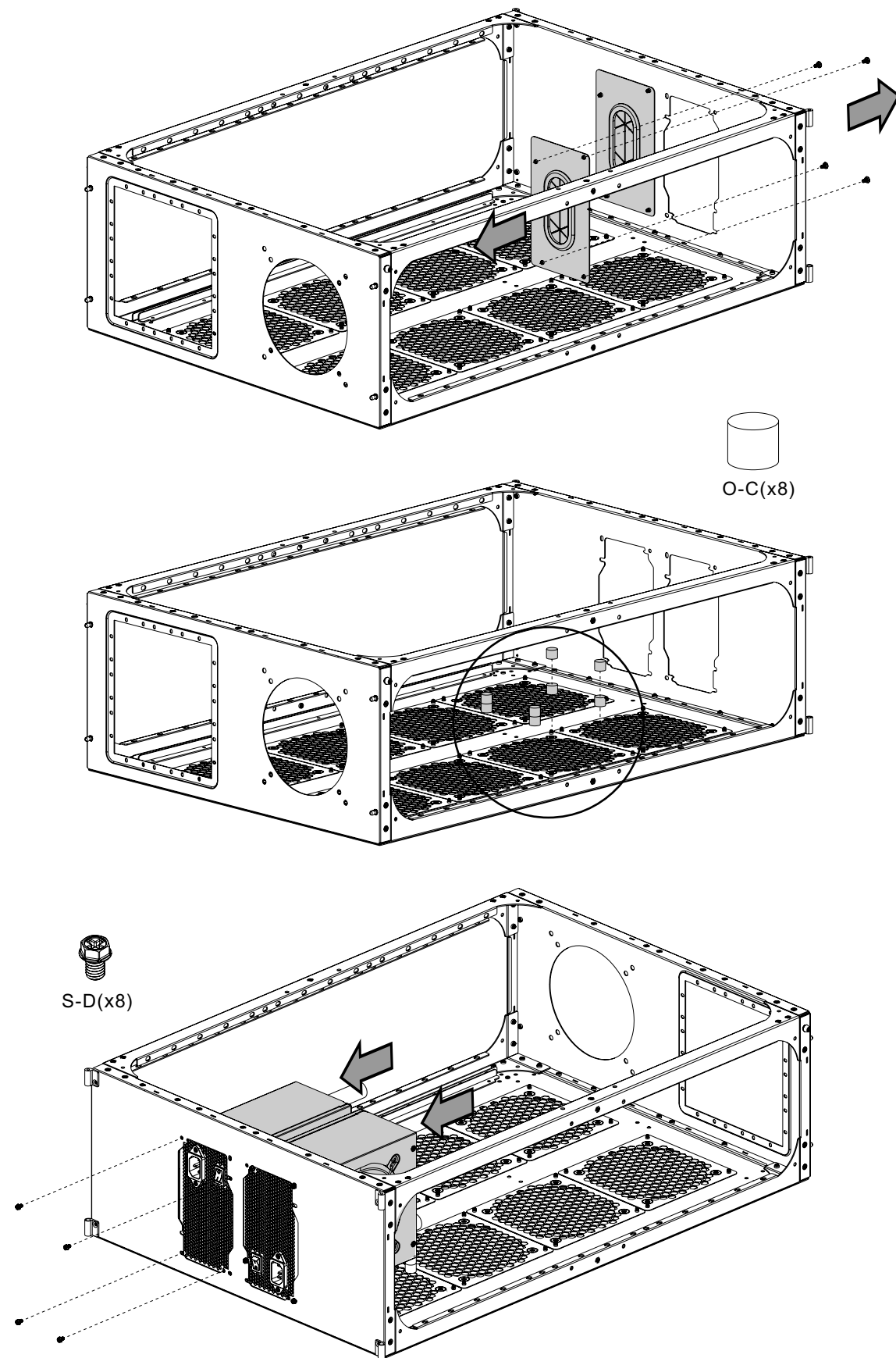


NO	Figure	Parts Name	Q'ty	Used for
S-A		Screw #6-32 x 6mm	48	For case body
S-B		Bezel bolt #6-32 x 3.5mm	10	For front & top plate
S-C		Screw #6-32 x 5mm	4	For side plate location
S-D		Screw #6-32 x 6mm	8	For PSU
S-E		Screw #6-32 x 6mm	20	For HDD/ODD cage/bracket foot stand
S-F		Screw # 6-32 x 28mm	24	For bottom 14cm fan
S-G		Screw # 6-32 x 10mm	6	For stacking
S-H		Nut #6-32	6	For stacking
S-N		Thumb Screw #6-32 x 6mm	6	For Rad bracket
S-O		Nut setter	1	For bezel bolt
O-A		Bezel bolt holder	2	For bezel or top plate
O-B		Cable ties	10	Cable management
O-C		PSU stand	8	For PSU
O-D		Foot stand	4	For bottom plate
O-G		Guide piece	2	For side panel
W-P		Rubber fan cover	6	For bottom plate





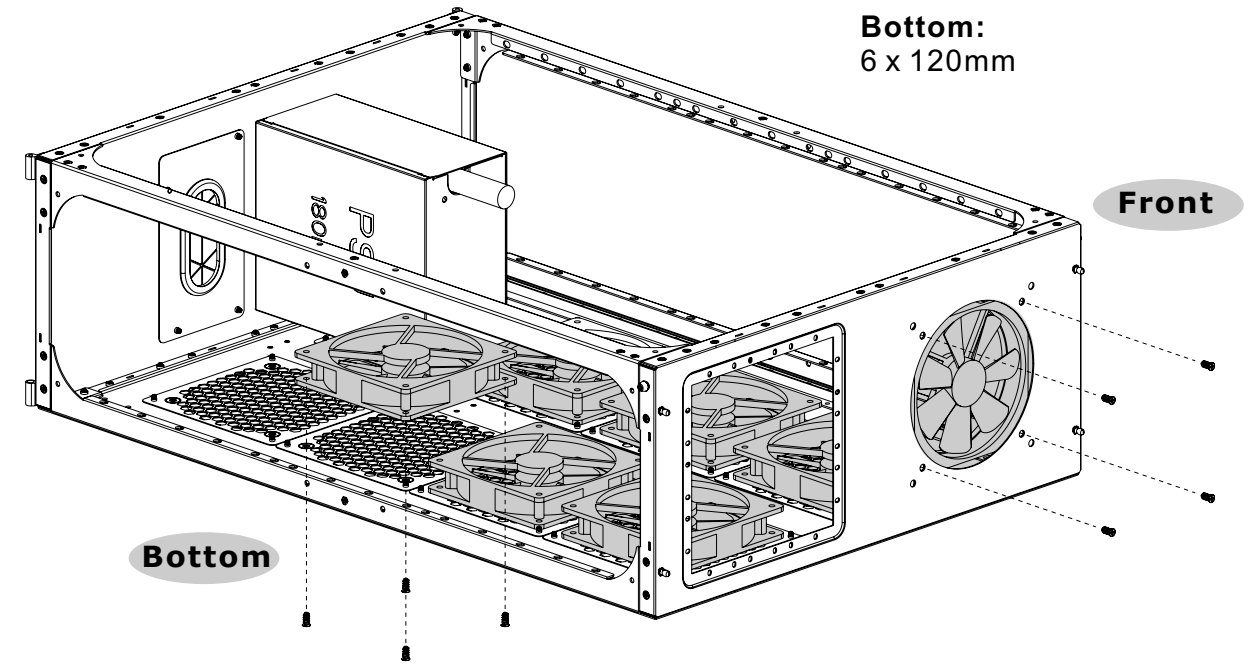




### 12 cm Fan

Front:  
1 x 120mm

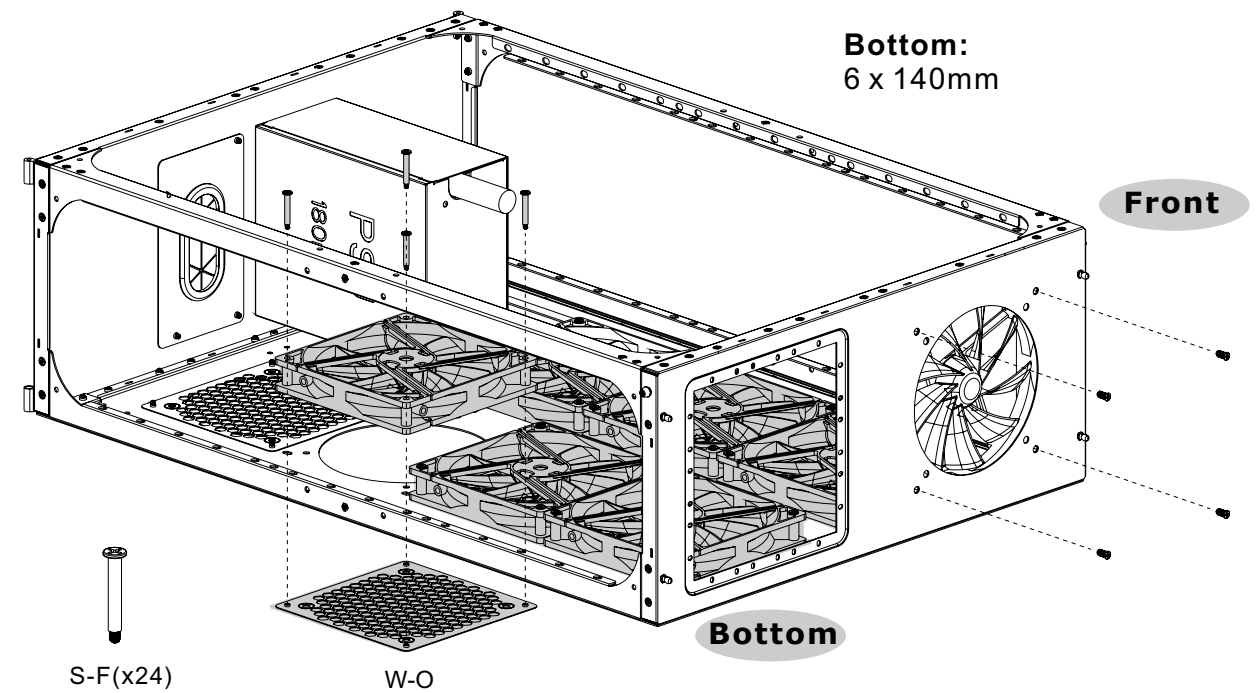
Bottom:  
6 x 120mm



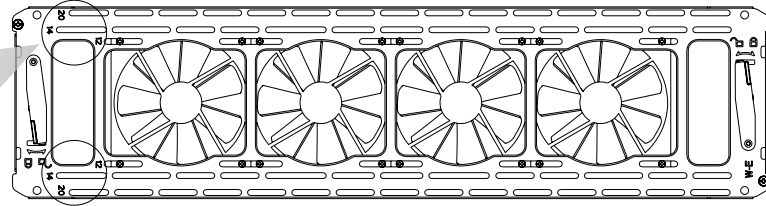
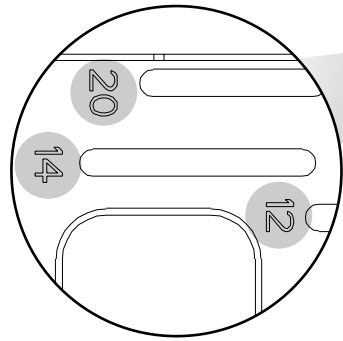
### 14 cm Fan

Front:  
1 x 140mm

Bottom:  
6 x 140mm

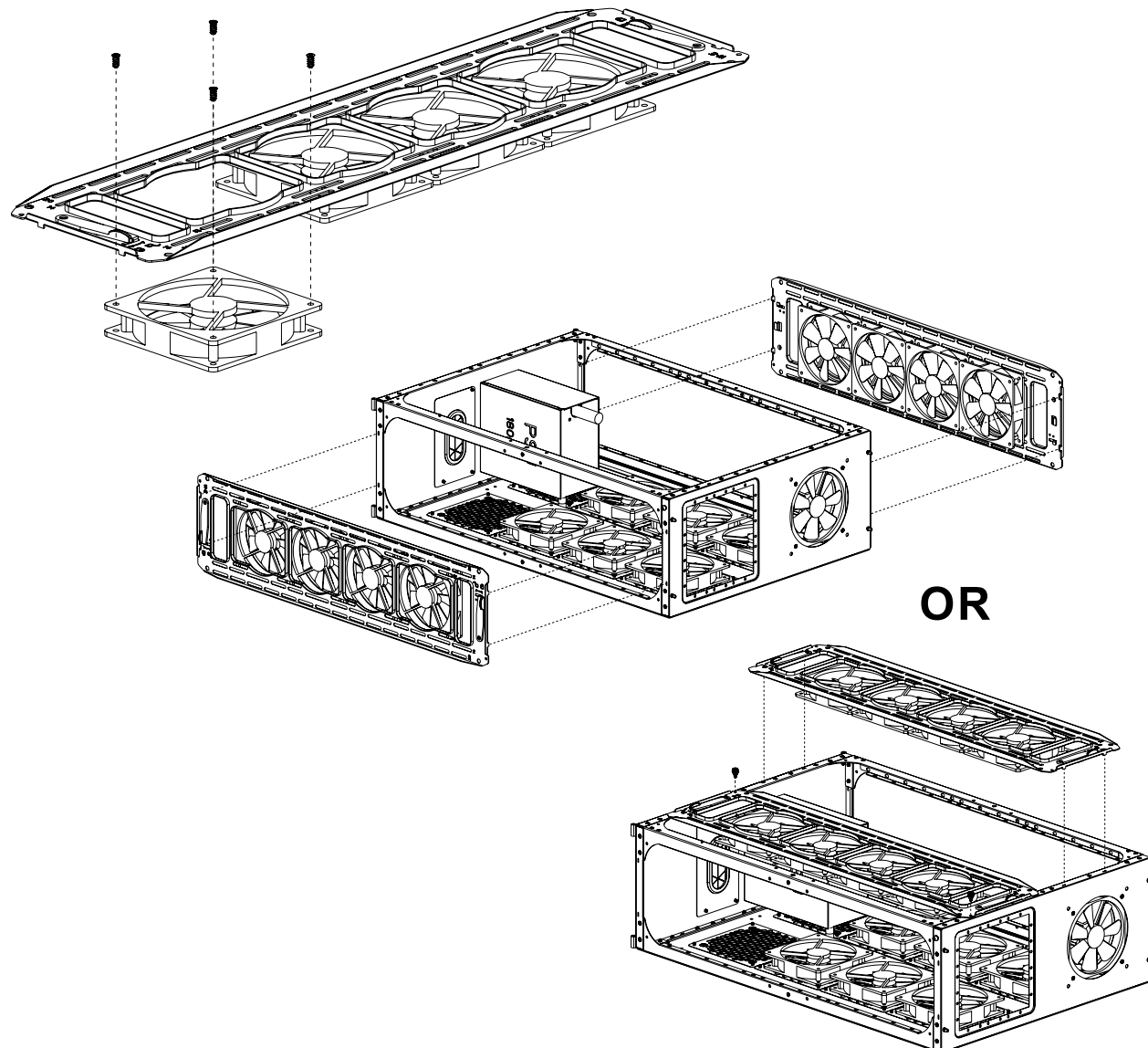


W-E(x2)

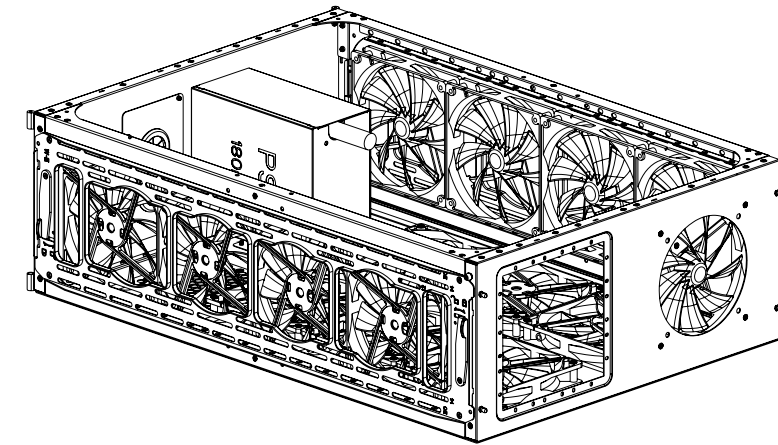
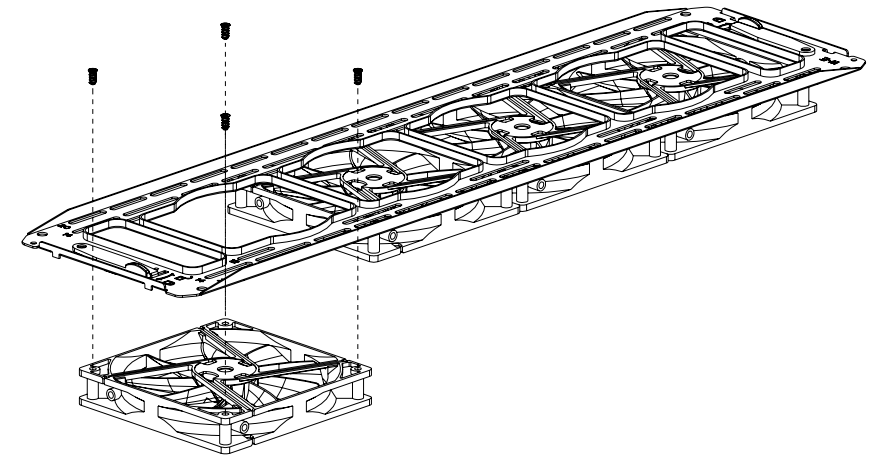


12: for 12cm fan  
 14: for 14cm fan  
 20: for 20cm fan

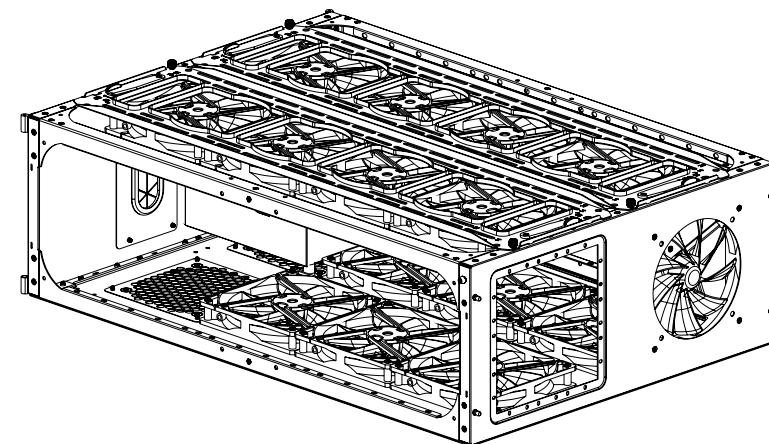
12 cm Fan(x4)



14 cm Fan(x4)

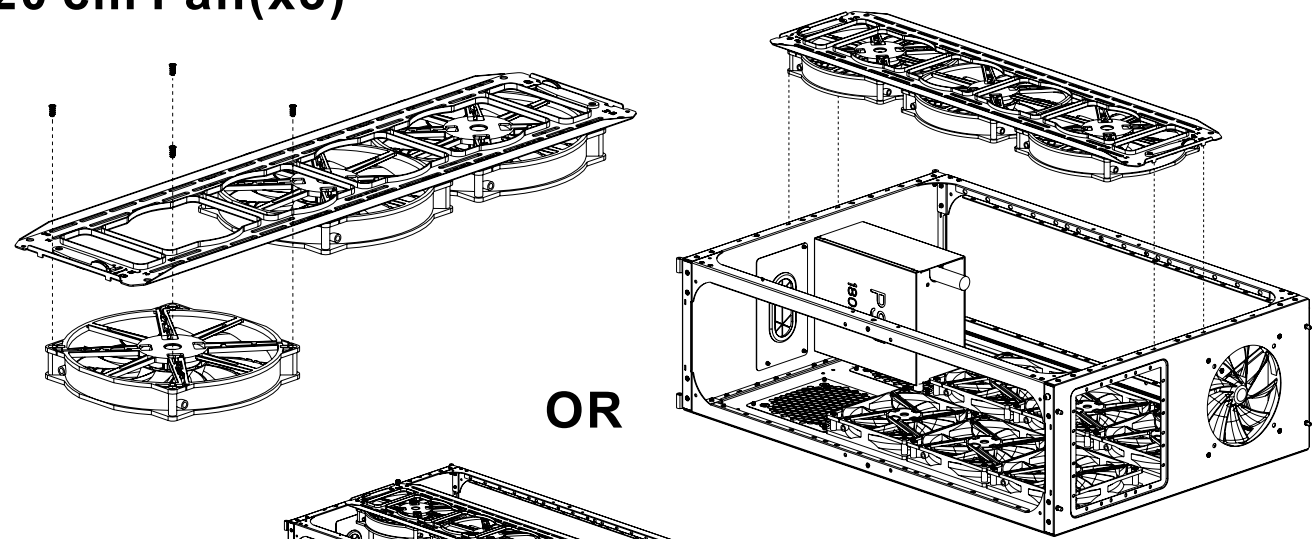


OR

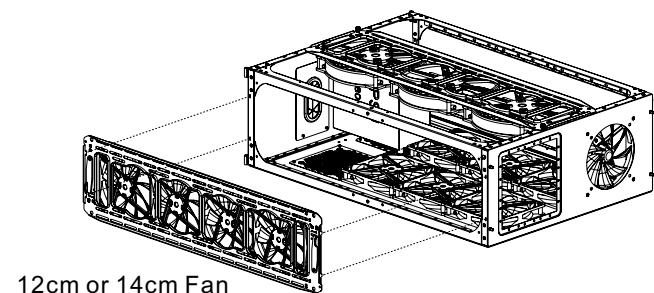




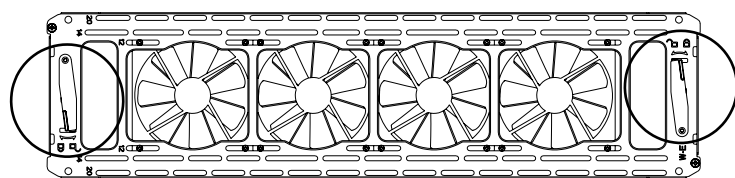
20 cm Fan(x3)



OR

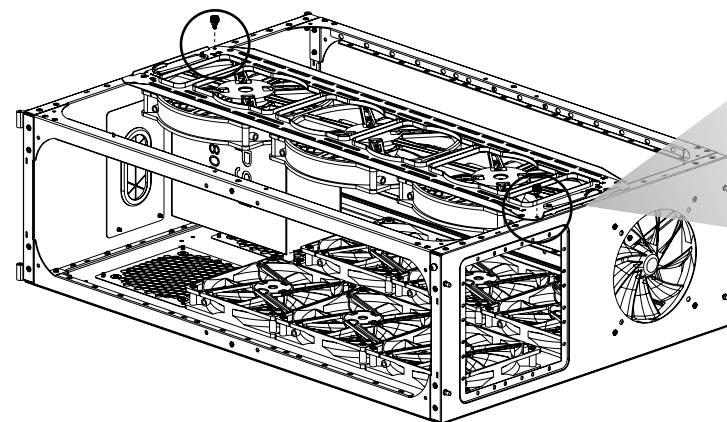
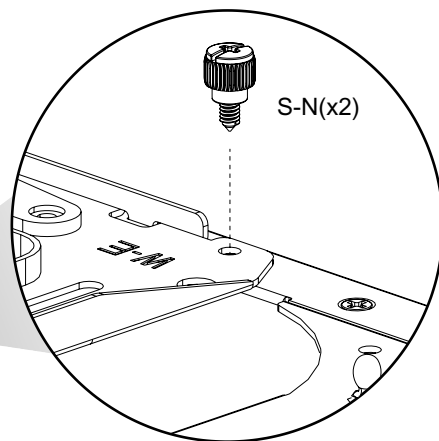
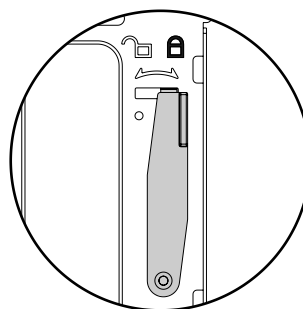
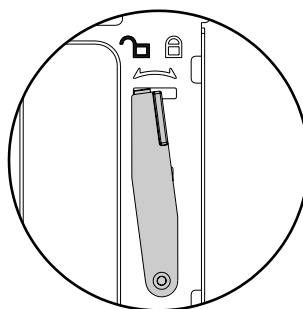


12cm or 14cm Fan

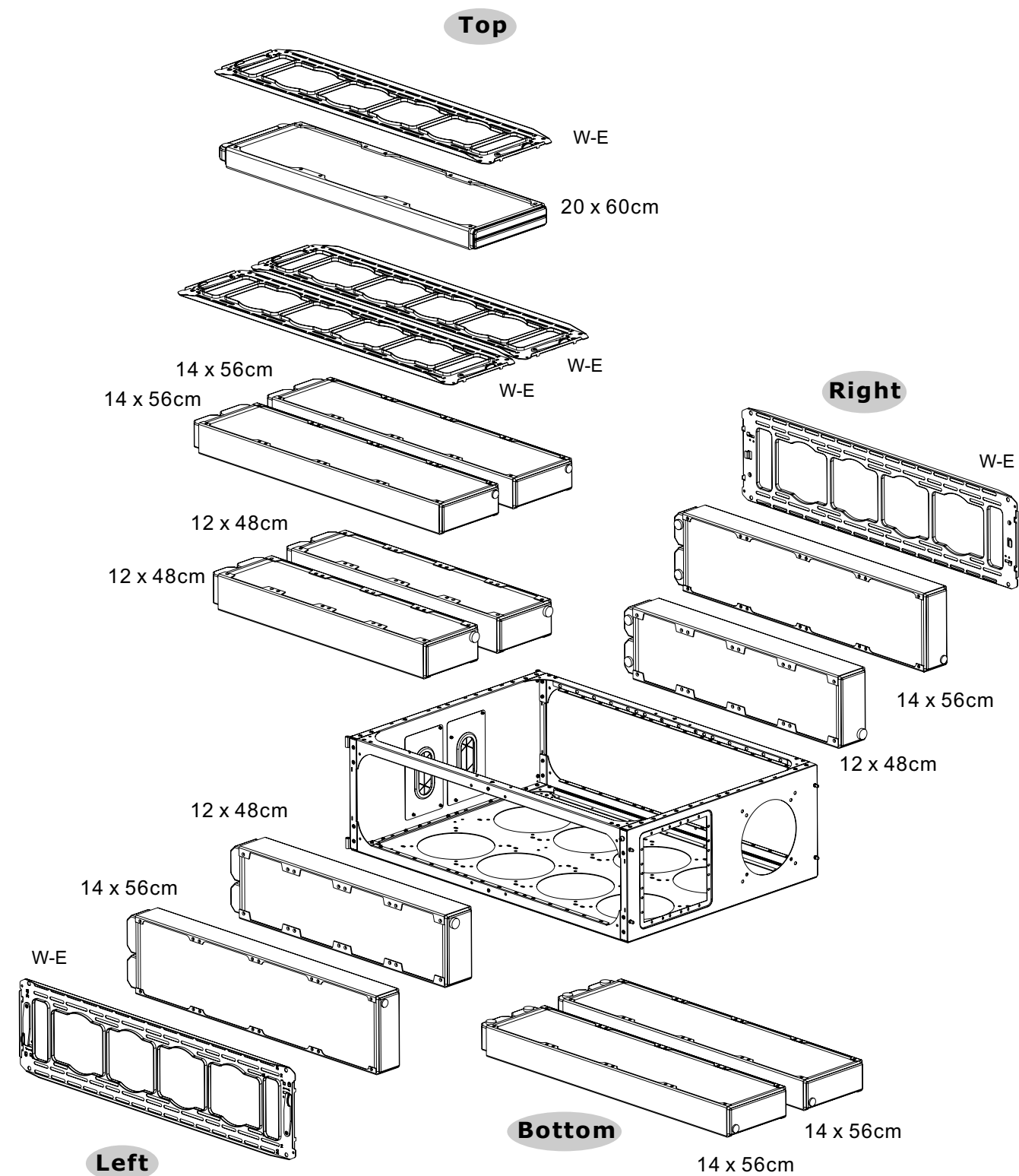


UNLOCK

LOCK



Liquid Cooling Installation



Top

W-E

20 x 60cm

14 x 56cm

W-E

14 x 56cm

W-E

12 x 48cm

12 x 48cm

Right

W-E

14 x 56cm

12 x 48cm

12 x 48cm

14 x 56cm

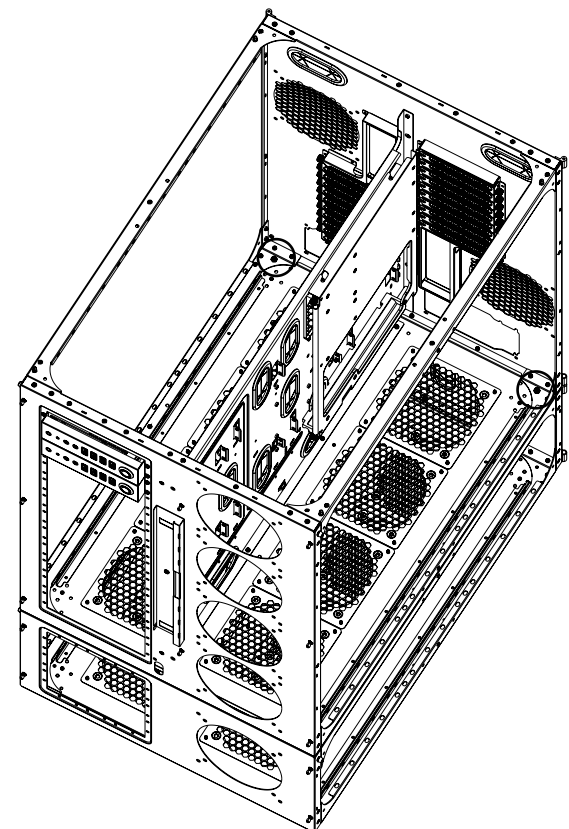
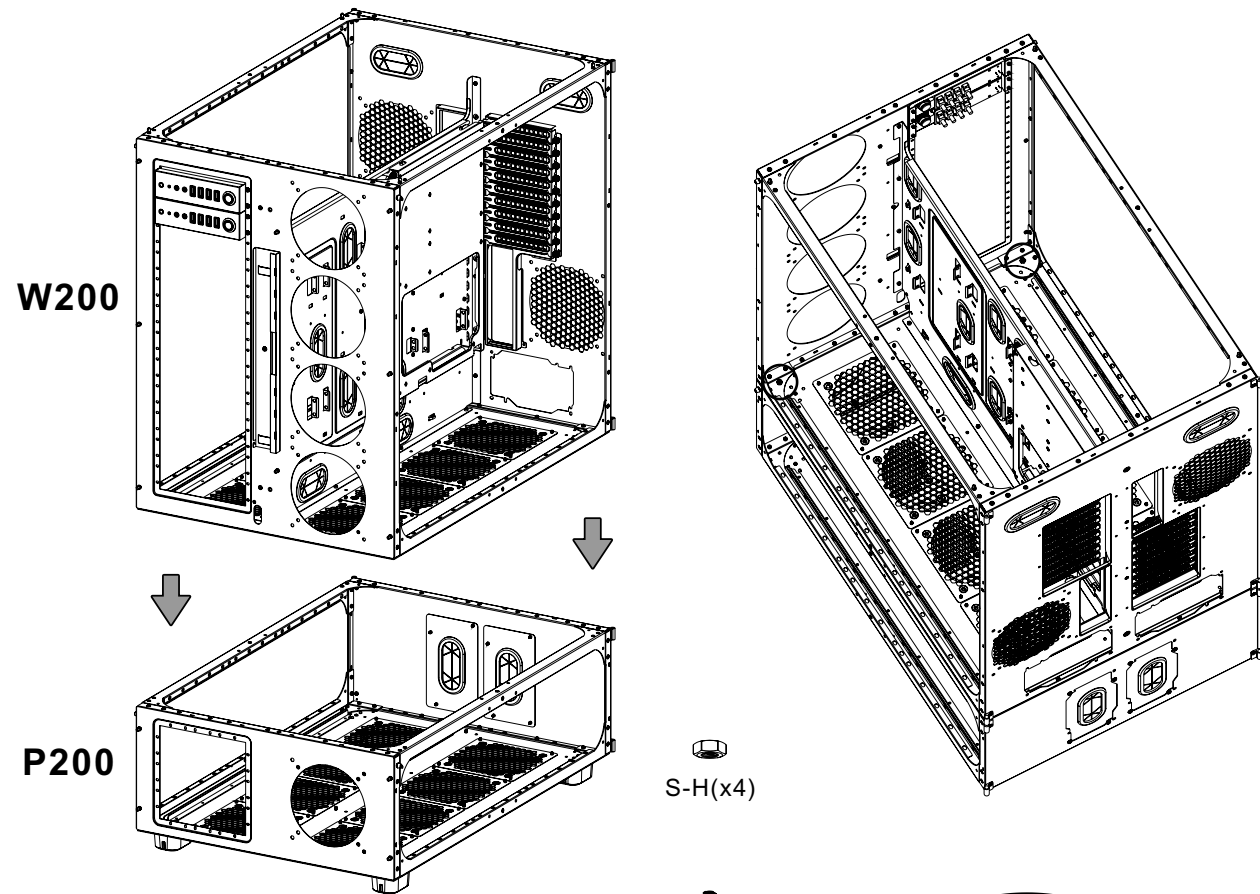
W-E

Bottom

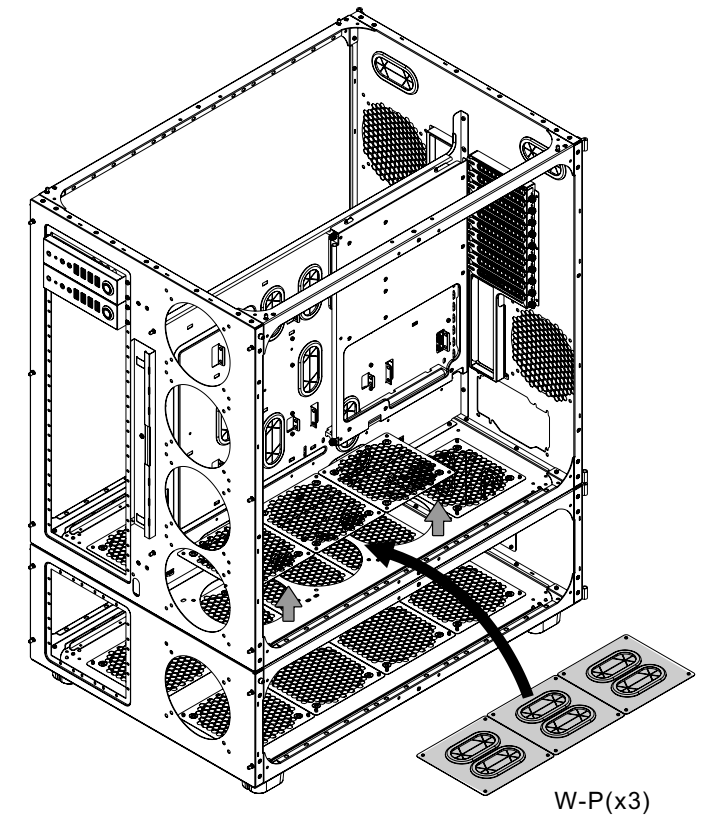
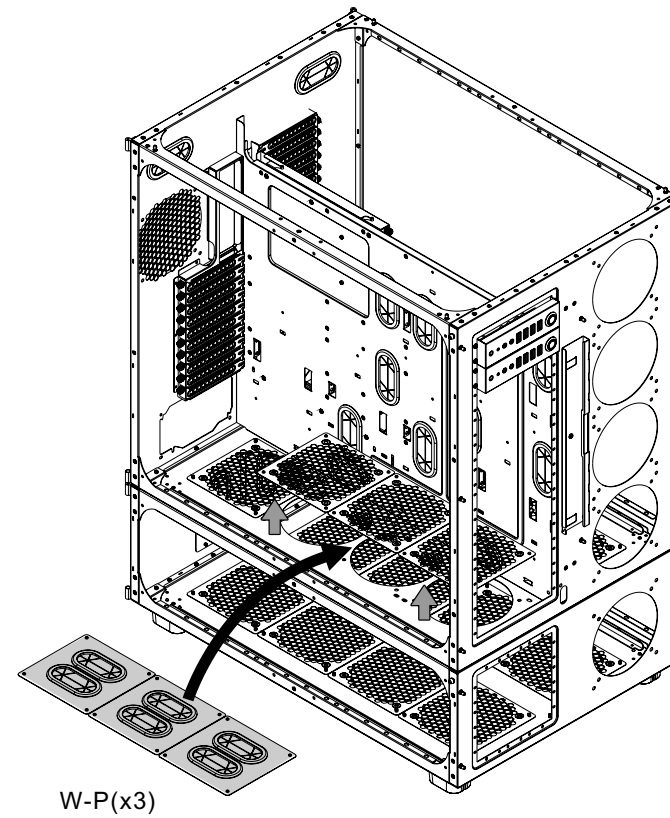
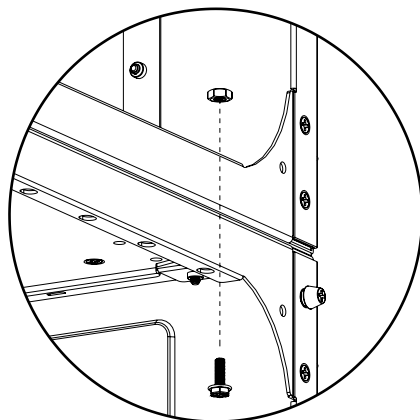
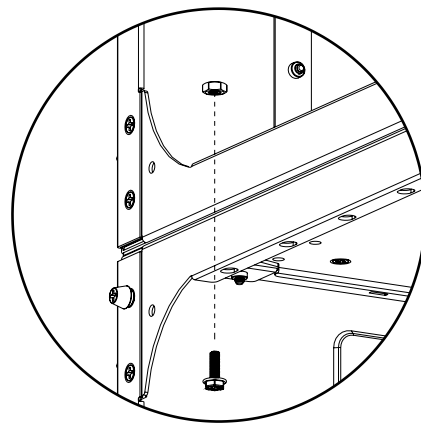
14 x 56cm

14 x 56cm

Left



S-G(x4)



Complete

